

Model: KLL40

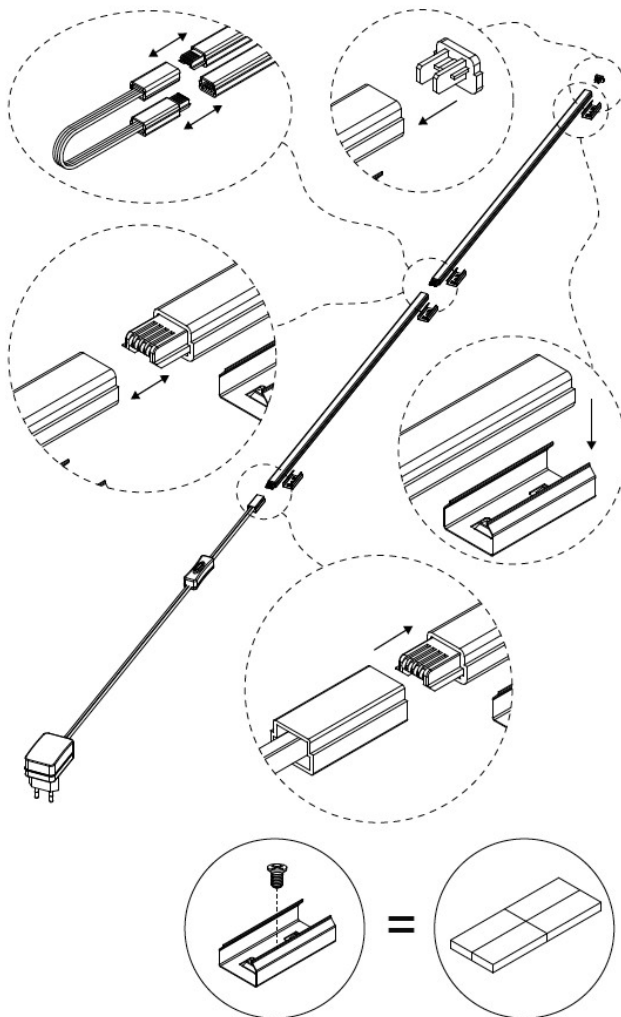
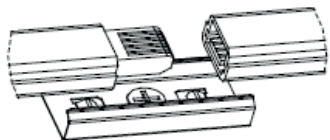
DESCRIPTION

The LED lighting kit includes power adapter with a switch, wire connector, mounting brackets, adhesive tape, end caps and LED bars. It is suitable for interior, furniture and decorative lighting.

INSTALLATION

- Clean the installation surface.
- Fix the LED bars to the desired surface using the mounting brackets or the adhesive tape included.
- Connect the power adapter to the LED bars.

Note: When connecting the LED bars use a mounting bracket to ensure the electrical connection between them.

**TECHNICAL DATA**

Power adapter	12 V DC
Power	3W
Luminous flux	260 lm
Colour temperature	4000 K
Working temperature	-10 °C - +40 °C
Index of protection	IP20
Dimensions of LED bars	400/11/8 mm
Beam angle	120°

TAKING CARE OF THE NATURAL ENVIRONMENT CLEANLINESS

The product and its components are not harmful to the environment.

Please dispose the package elements separately in containers for the corresponding material.

 Please dispose the broken product separately in containers for out of usage electrical equipment.