

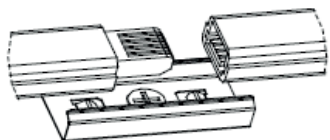
DESCRIPTION

The RGB LED lighting kit includes a power adapter, a RGB IR controller, a splitter, wire connectors, mounting brackets, endcaps and RGB LED bars. It is suitable for interior, furniture and decorative lighting.

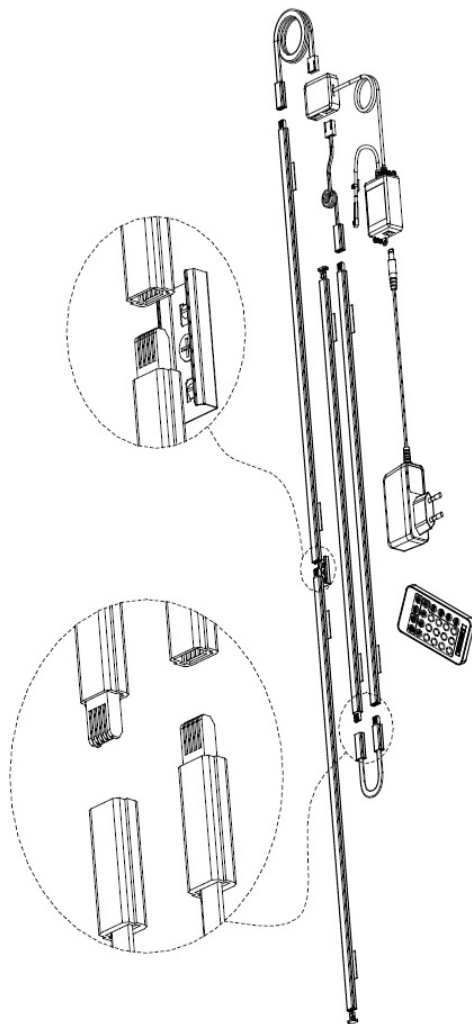
INSTALLATION

- Clean the installation surface.
- Fix the RGB LEDs using the mounting brackets.
- Connect the power supply, the RGB controller, the splitter and the RGB bars.

Note: When connecting the LED bars use a mounting bracket to ensure the electrical connection between them.

**TECHNICAL DATA**

Power supply	12 V DC
Power	12 W
Color temperature	RGB
Working temperature	-10 °C - +40 °C
Index of protection	IP20
Dimensions of LED bars	400/11/8 mm
Beam angle	120°

**TAKING CARE OF THE NATURAL ENVIRONMENT CLEANLINESS**

The product and its components are not harmful to the environment.

Please dispose the package elements separately in containers for the corresponding material.

 Please dispose the broken product separately in containers for out of usage electrical equipment.