

# UltraLux®

INDUSTRIAL SOLUTIONS

## CATALOGUE 2019-2020





**Utralux®**

Utralux® offers lighting simulations and solutions to illuminate streets, sports facilities, separate rooms or entire buildings and providing professionally prepared reports and consultations that make it easier for the customer to choose the lighting.



# Industrial lighting

Ultralux® encompasses a wide range of lighting products in several different categories, intended for use at homes, offices, shopping centers, hotels, administrative buildings, etc. We also offer lighting for the industrial needs, as well as park and street lighting.

Since 2010 and the beginning of the rapid development of LED technologies worldwide, Boriana Group commenced the manufacturing and delivering of LED products of the internationally registered trademark Ultralux®.

In mid-2014, following the latest innovations in the LED technology, our team started producing professional series for office and industrial lighting with longer warranty periods.

### Concept

Achieving the lowest price possible has never been a part of our development strategy, especially when that's at the expense of quality and technical parameters.

Our experience for the last years has convinced us that the good quality LED products is what the smart customer chooses, not only because of their higher efficiency and energy-saving, but also because of their longer life span.

The good quality and longer life of the Ultralux products are a result of our experience, product's tests and selection of both components and manufacturers. We carry out constant incoming and outgoing factory control, and least, but not last - we implement an organizational governance system in accordance with ISO 9001:2008.

### With care for our partners and clients

Led by the recommendations of our clients regarding the characteristics of our products, we constantly improve our current models and develop new ones to satisfy the growing demands of the LED market.

Besides the delivery of quality LED products, we are focused on providing the best possible service to our

clients. We are constantly developing a wide distributor chain, not only in Bulgaria, but in over 10 European countries. Selling our brand on the EU market requires from us even a higher quality of our products.

### Make a step into the future with us

We can proudly state that our team has created a wide range of LED products, using only the best components and ideas. While having in mind the rapid development of the LED industry and the constant emergence of technological novelties, we intend to carry on the search and realization of contemporary lighting ideas, and alongside our partners and clients, always walk one step ahead into the future of the lighting solutions.

## Content

- LED panels ..... 2
- Accessories for LED panels ..... 5
- LED downlights for building-in ..... 6
- Dimmable drivers ..... 8
- Sensors ..... 10
- Dimming control devices ..... 12
- 2.4G SMART control system ..... 13
- 2.4G SMART RGBW lighting system ..... 15
- Professional LED strips ..... 16
- Power supplies and accessories  
for professional LED strips ..... 19
- LED Industrial fixtures ..... 20
- Professional LED floodlights ..... 28
- Street LED lighting ..... 32
- Accessories ..... 36
- Emergency lighting fixtures and modules ..... 38



**Ultralux®**

# LED panels

Ultralux® offers different models of LED panels, merged into following product series:

- moisture and damp proof, IP44;
- standard, with thin and light design;
- high efficiency and low glare levels.

The high efficiency panels are grouped in two sub-categories:

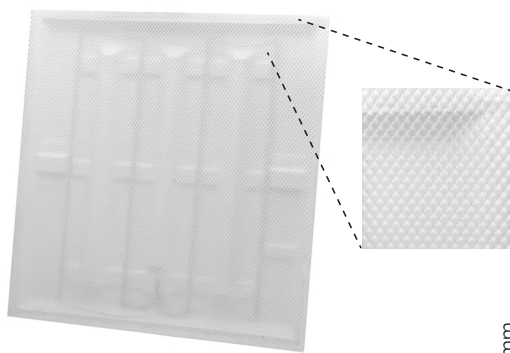
- whenever  $UGR < 19$  is requested, we offer a panel with efficiency of 100 lm/W and a special prismatic diffuser (LPLG664042);
- whenever  $UGR < 13$  is requested, the panel we offer has 150 lm/W and optics on each LED chip (LPAGF663042).

The Ultralux® panels are flicker-free, with high colour-rendering index ( $Ra > 80$ ) and power factor  $PF > 0.9$ . The standard sizes 1200x300 mm (1196x296 mm) and 600x600 mm (595x595 mm) allow a direct replacement without needing to modify the existing mounting holes and cabling. We offer all our models equipped with a high class external non-dimmable driver. Optionally, the LED panels could be controlled with dimmable drivers or combined with emergency modules. The excellent quality LED chips ensure a long exploitation period and reliable operation before needing any servicing or replacement.

Application:

- Production premises
- Office lighting
- Drawing rooms
- Copying centers
- Laboratories
- Hospitals

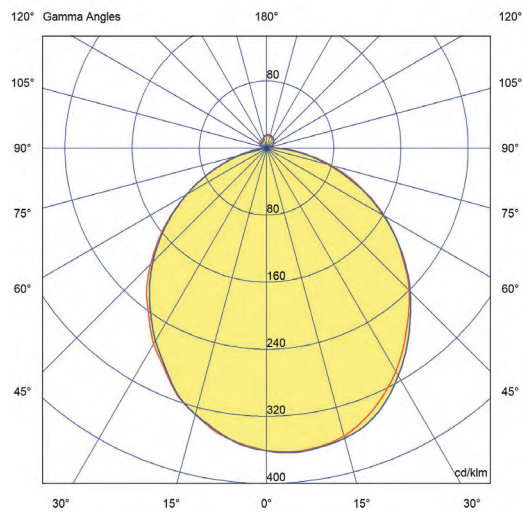
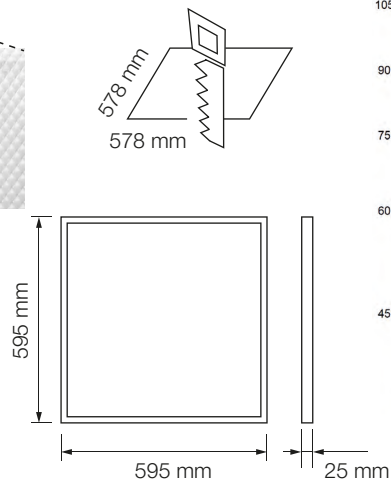
## LED PANEL 600×600, IP44



**2** YEARS WARRANTY

**IP44**  
**118 lm/W**

FLICKER-FREE  
EXTERNAL NON-DIMMABLE DRIVER INCLUDED



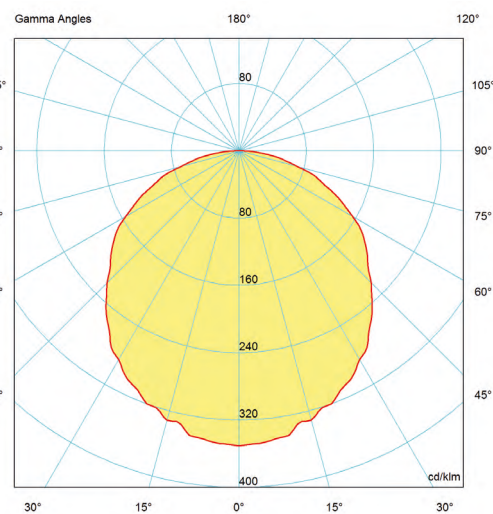
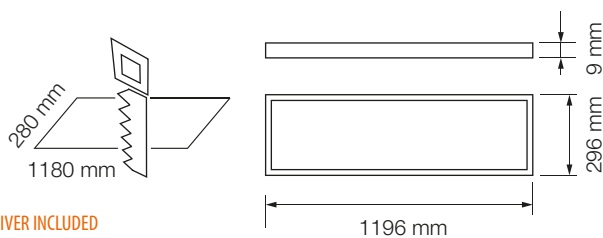
Product N°	Power	Voltage	Frequency	PF	Colour temperature	CRI	Luminous flux	Beam angle	IP	Weight	L80B30*
LP220663440	34 W	220-240V AC	50/60 Hz	>0.90	4000 K	>80	4000 lm	120°	IP44	0.85 kg	>50000h

## LED PANEL 1200×300



**3** YEARS WARRANTY

FLICKER-FREE  
EXTERNAL NON-DIMMABLE DRIVER INCLUDED  
OPTION FOR DIMMING WITH ULTRALUX® DIMMABLE DRIVERS



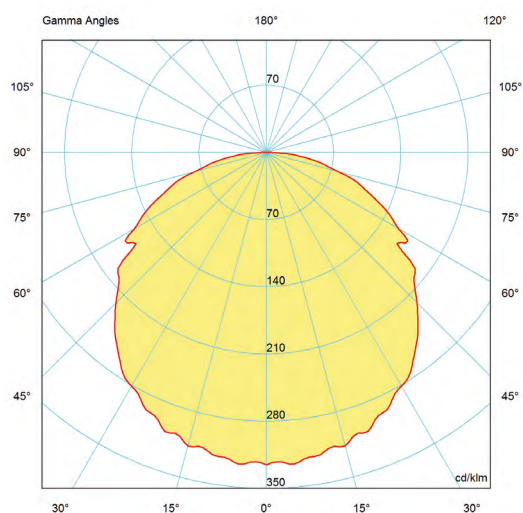
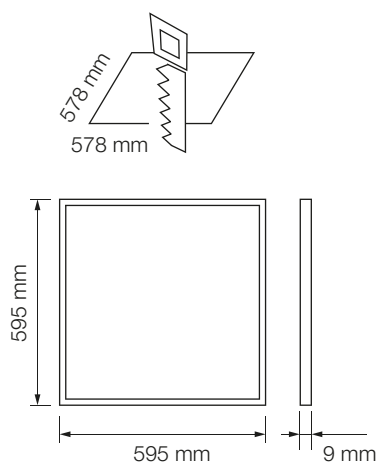
Product N°	Power	Voltage	Frequency	PF	Colour temperature	CRI	Luminous flux	Beam angle	IP	Weight	L80B30*
LP1234042	40 W	220-240 V AC	50/60 Hz	>0.90	4200 K	>80	3700 lm	115°	IP20	2.45 kg	>50 000 h
LP2201234060	40 W	220-240 V AC	50/60 Hz	>0.90	6000 K	>80	3700 lm	115°	IP20	2.45 kg	>50 000 h

## LED PANEL 600×600



**3** YEARS WARRANTY

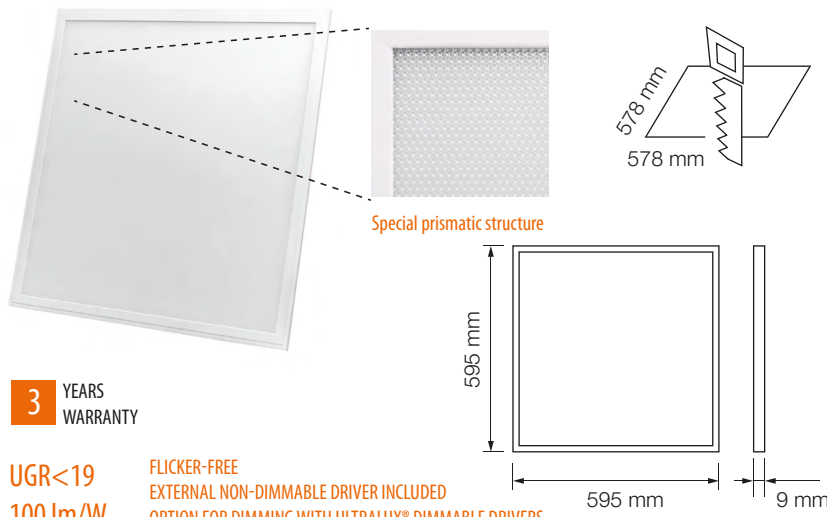
FLICKER-FREE  
EXTERNAL NON-DIMMABLE DRIVER INCLUDED  
OPTION FOR DIMMING WITH ULTRALUX® DIMMABLE DRIVERS



Product N°	Power	Voltage	Frequency	PF	Colour temperature	CRI	Luminous flux	Beam angle	IP	Weight	L80B30*
LP664042	40 W	220-240V AC	50/60 Hz	>0.90	4200 K	>80	3700 lm	115°	IP20	2.30 kg	>50 000 h
LP664060	40 W	220-240V AC	50/60 Hz	>0.90	6000 K	>80	3700 lm	115°	IP20	2.30 kg	>50 000 h

\* Lumen degradation lifetime with 20%

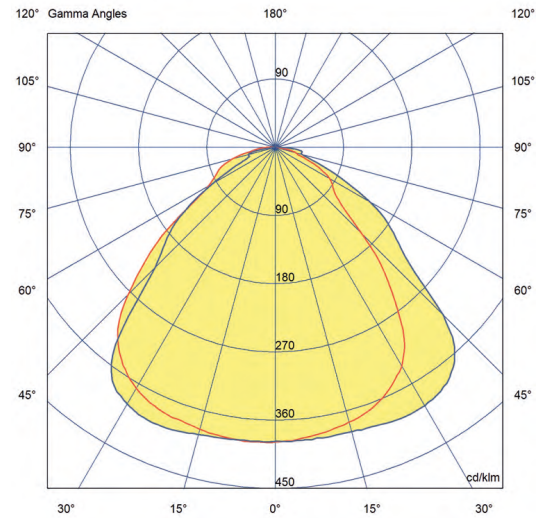
## LED PANEL 600×600 LOW GLARE



**3** YEARS WARRANTY

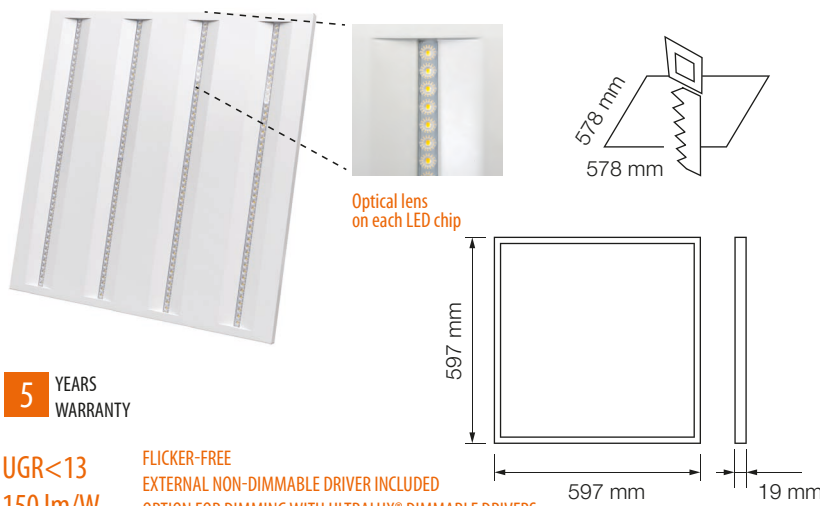
UGR < 19  
100 lm/W

FLICKER-FREE  
EXTERNAL NON-DIMMABLE DRIVER INCLUDED  
OPTION FOR DIMMING WITH ULTRALUX® DIMMABLE DRIVERS



Product №	Power	Voltage	Frequency	PF	Colour temperature	CRI	Luminous flux	Beam angle	IP	Weight	L80B30*
LPLG664042	40 W	220-240V AC	50/60 Hz	>0.90	4200 K	>80	4000 lm	100°	IP20	2.30 kg	>50000 h

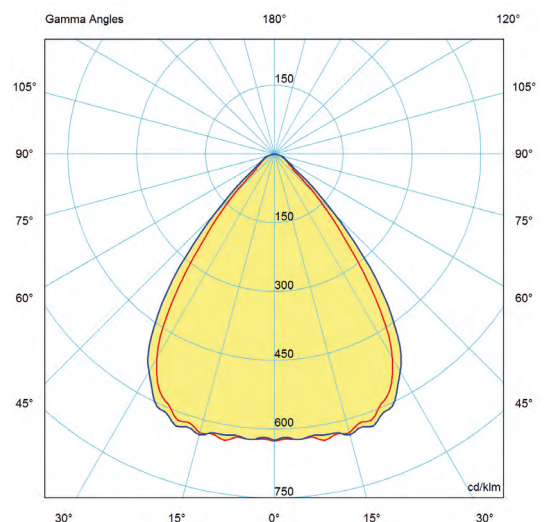
## LED PANEL 600×600 WITH HIGH EFFICIENCY AND LOW GLARE



**5** YEARS WARRANTY

UGR < 13  
150 lm/W

FLICKER-FREE  
EXTERNAL NON-DIMMABLE DRIVER INCLUDED  
OPTION FOR DIMMING WITH ULTRALUX® DIMMABLE DRIVERS



Product №	Power	Voltage	Frequency	PF	Colour temperature	CRI	Luminous flux	Beam angle	IP	Weight	L80B30*
LPAGF663042	30 W	220-240 V AC	50/60 Hz	>0.90	4200 K	>80	4500 lm	70°	IP20	3.45 kg	>50000 h

\* Lumen degradation lifetime with 20%

The panels can be controlled and combined with the following drivers and modules

LED DIMMING DRIVER  
DDL45D



DALI, PUSH, 1-10V DC, 10V DC PWM  
SUITABLE FOR LED PANELS  
LP1234042, LP2201234060,  
LP664042, LP664060,  
LPLG664042, LPAGF663042

LED DIMMING DRIVER  
DDL22040



LEADING EDGE / TRAILING EDGE  
SUITABLE FOR LED PANELS  
LP1234042, LP2201234060,  
LP664042, LP664060,  
LPLG664042

LED DIMMING DRIVER  
DDL22050F



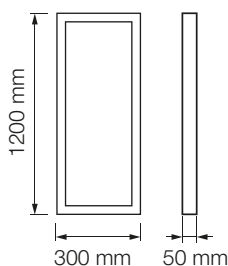
0-10V DC, 10V DC PWM  
SUITABLE FOR LED PANELS  
LP1234042, LP2201234060,  
LP664042, LP664060,  
LPLG664042, LPAGF663042

EMERGENCY POWER SUPPLY  
WITH BUILT-IN Ni-Cd BATTERY  
ZAM502



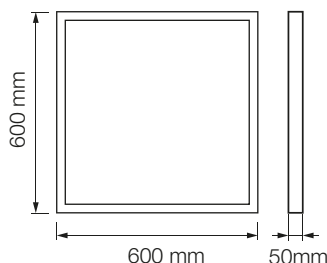
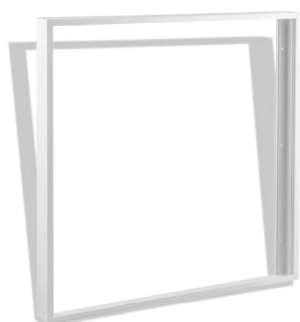
SUITABLE FOR LED PANELS  
LP220663440, LP1234042,  
LP2201234060,  
LP664042, LP664060,  
LPLG664042, LPAGF663042

# Accessories for LED panels



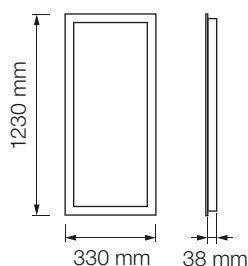
FRAME FOR SURFACE MOUNTING OF LED PANEL 1200×300  
**FSM123**

Material: Aluminium, powder coated  
Colour: White



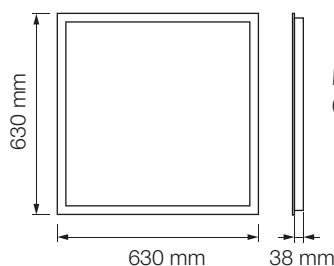
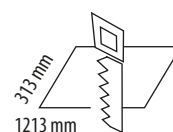
FRAME FOR SURFACE MOUNTING OF LED PANEL 600×600  
**FSM66**

Material: Aluminium, powder coated  
Colour: White



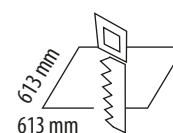
FRAME FOR BUILDING-IN OF LED PANEL 1200×300  
**RV123**

Material: galvanized steel, powder coated  
Colour: White



FRAME FOR BUILDING-IN OF LED PANEL 600×600  
**RV66**

Material: galvanized steel, powder coated  
Colour: White



SUSPENDING ACCESSORIES FOR LED PANELS AND PROFILES  
**KELP82**

Material: Steel  
Length of the suspending wires: 82 cm



**Ultralux®**

# LED downlights for building-in

The downlights are suitable for interior lighting in offices, exhibition halls, galleries, public buildings, hotels and restaurants. Designed for direct replacement of old classic energy-saving lamps.

Ultralux® LED downlights are distinguished with their high light output, high color rendering index, flickerless light and long service life. This subsequently leads to significant financial savings from electricity and maintenance.

A specially designed 40W LED downlight with a narrow beam angle is suitable for rooms with high ceilings. The diffuser and the reflector are made of polycarbonate. This ensures uniform lighting without glare and dazzle. The housing is made of aluminum, which provides mechanical strength and excellent heat dissipation.

Application:

- Office lighting
- Shops and stores
- Exhibition halls and galleries
- Hotels

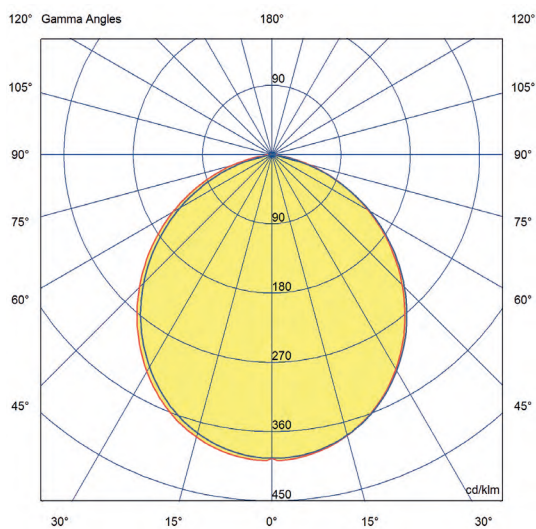


## LED DOWNLIGHT FOR BUILDING-IN, WATERPROOF

IP44  
FLICKER-FREE  
EXTERNAL NON-DIMMABLE DRIVER INCLUDED

OPTION FOR DIMMING  
WITH ULTRALUX®  
DIMMABLE DRIVERS

**2** YEARS  
WARRANTY



Prod. N°	Power	Voltage	Frequency	PF	Colour temp.	CRI	Luminous flux	Beam angle	Dimensions, D / H	Mount. hole	IP	Weight	L80B30*
LLV1842	18 W	220-240V AC	50/60 Hz	>0.50	4200 K	>80	1550 lm	120°	Ø180/55 mm	Ø145 mm	IP44	0.35 kg	>30000h
LLV2442	24 W	220-240V AC	50/60 Hz	>0.50	4200 K	>80	2150 lm	120°	Ø230/60 mm	Ø190 mm	IP44	0.60 kg	>30000h

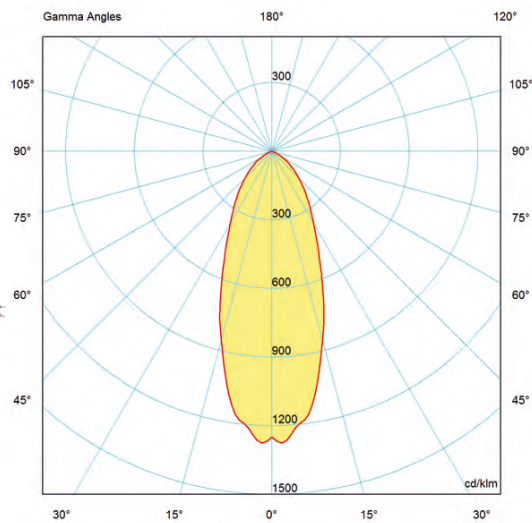
## LED DOWNLIGHT FOR BUILDING-IN, LOW GLARE

FLICKER-FREE  
EXTERNAL NON-DIMMABLE DRIVER INCLUDED

OPTION FOR DIMMING  
WITH ULTRALUX®  
DIMMABLE DRIVERS

HOUSING: POWDER COATED ALUMINIUM  
REFLECTOR: FACETED, PC  
OPTICS: PMMA

**5** YEARS  
WARRANTY



Prod. N°	Power	Voltage	Frequency	PF	Colour temp.	CRI	Luminous flux	Beam angle	Dimensions, D / H	Mount. hole	IP	Weight	L80B30*
LLV4042	40 W	220-240V AC	50/60 Hz	>0.95	4200 K	>80	3850 lm	36°	Ø230/118 mm	Ø190 mm	IP20	0.95 kg	>50000h

\* Lumen degradation lifetime with 20%

The LED downlights can be controlled and combined with the following drivers and modules

LED DIMMING DRIVER  
SSD24230



2.4G SMART CICTEMA  
SUITABLE FOR LED DOWNLIGHTS  
LLV1842, LLV2442

LED DIMMING DRIVER  
DDL45D



DALI, PUSH, 1-10V DC, 10V DC PWM  
SUITABLE FOR LED DOWNLIGHT  
LLV4042

LED DIMMING DRIVER  
DDL22050F



0-10V DC, 10V DC PWM  
SUITABLE FOR LED DOWNLIGHT  
LLV4042

EMERGENCY POWER SUPPLY  
WITH BUILT-IN Ni-Cd BATTERY  
ZAM502



SUITABLE FOR LED DOWNLIGHTS  
LLV1842, LLV2442, LLV4042



**UltraLux**<sup>®</sup>

# Dimmable drivers

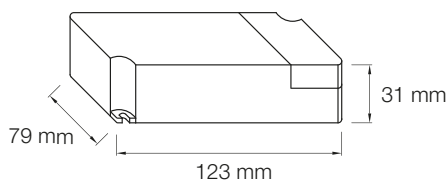


**5** YEARS WARRANTY

DIMMING DALI DRIVER FOR LED LIGHTING



Product N°	Output power	Input voltage	Frequency	PF	Output current	Output voltage	IP
DDL45D	max 45W	220 - 240V AC	50/60 Hz	>0.95	600, 700, 750, 800, 850, 900, 950, 1000, 1050, 1100 mA	3V - 42V DC	IP20



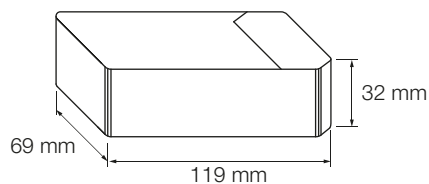
METHODS OF CONTROL: DALI, PUSH, 1-10V DC, 10V DC PWM  
SELECT THE OUTPUT CURRENT WITH A DIP SWITCH  
FLICKER-FREE

## DIMMING DRIVER FOR LED LIGHTING 0-10V DC



**2** YEARS WARRANTY

Product N°	Output power	Input voltage	Frequency	PF	Output current	Output voltage	IP
DDL22050F	max 50W	220 - 240V AC	50/60 Hz	>0.90	700, 850, 900, 1000, 1100, 1200 mA	max. 52 V DC	IP20



METHOD OF CONTROL: 0-10V DC  
SELECT THE OUTPUT CURRENT WITH A DIP SWITCH  
FLICKER-FREE

## DIMMING DRIVER FOR LED LIGHTING



**2** YEARS WARRANTY

Product N°	Output power	Input voltage	Frequency	PF	Output current	Output voltage	IP
DDL22040	max 40W	220 - 240V AC	50/60 Hz	>0.90	850 mA	27 - 44 V DC	IP20



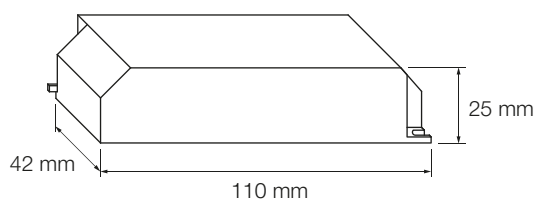
LEADING EDGE/TRAILING EDGE  
TRIAC DIMMING

## DIMMING DRIVER FOR LED LIGHTING



**2** YEARS WARRANTY

Product N°	Output power	Input voltage	Frequency	PF	Output current	Output voltage	IP
DDL20480	max 20W	220 - 240V AC	50/60 Hz	>0.90	480 mA	28 - 42 V DC	IP20



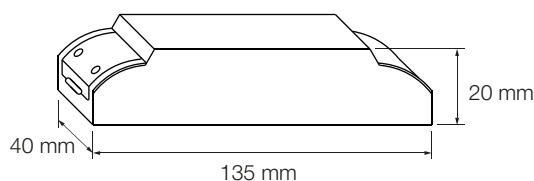
LEADING EDGE/TRAILING EDGE  
TRIAC DIMMING  
FLICKER-FREE

## DIMMING DRIVER FOR LED LIGHTING



**2** YEARS WARRANTY

Product N°	Output power	Input voltage	Frequency	PF	Output current	Output voltage	IP
DDL22018	max 18W	220 - 240V AC	50/60 Hz	>0.90	300 mA	max. 60 V DC	IP20



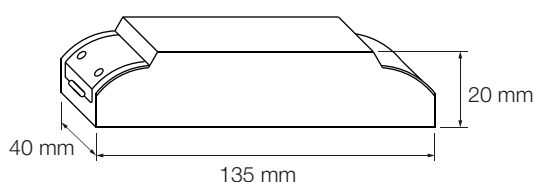
LEADING EDGE/TRAILING EDGE  
TRIAC DIMMING

## DIMMING DRIVER FOR LED LIGHTING



**2** YEARS WARRANTY

Product N°	Output power	Input voltage	Frequency	PF	Output current	Output voltage	IP
DDL22012	max 12W	220 - 240V AC	50/60 Hz	>0.80	300 mA	max. 36 V DC	IP20



LEADING EDGE/TRAILING EDGE  
TRIAC DIMMING



**UltraLux®**

# Sensors

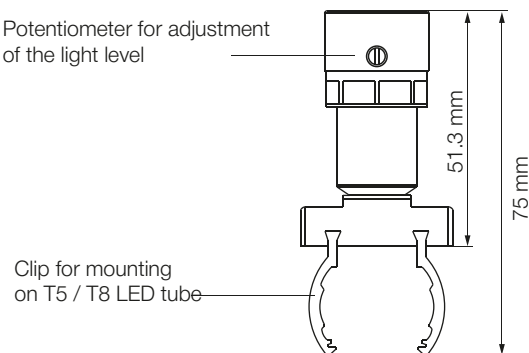
## MINI DAYLIGHT DIMMING SENSOR 1-10V DC

The mini sensor measures the illumination and compares it with the set value. It is equipped with an adjustable potentiometer which sets the required level of illumination. The light is converted into an electronic 1-10 V DC signal which controls the dimmable driver of the LED luminaire. In this way, the driver will adjust the light from the light sources to maintain the set illumination level.

The Mini Light Sensor could be used to automate lighting systems. It helps in achieving even greater energy efficiency.



Potentiometer for adjustment of the light level



Clip for mounting on T5 / T8 LED tube

**2** YEARS WARRANTY

### NO EXTERNAL POWER SUPPLY REQUIRED

Dimming control output: 1-10 V DC / 50 mA

Prod. N°	Output current	Stand-by dimming level	Ambient light threshold	IP
MS010	max 50 mA	10-100%	50-800 lx	IP20

## MICROWAVE DIMMING MOTION SENSOR

The sensor would turn on the lamp(s) whenever there is a motion within the defined area. The sensitivity of the illumination can be easily changed by a DIP switch. The motion sensor also helps you save energy by automatically switching off lights in areas that are not being used. Whenever no other movement is detected, the lamps are dimmed before they are automatically switched off after a certain time. Tracking is also possible through doors, glass and thin walls.



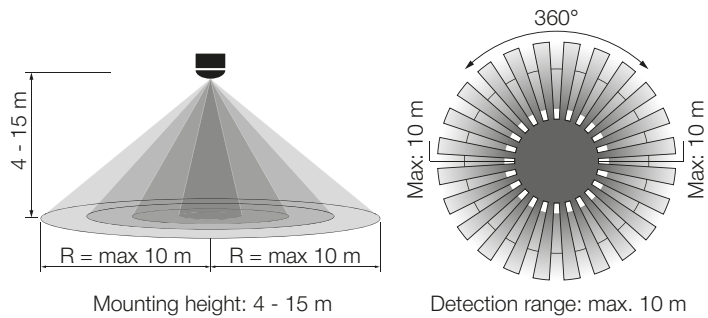
### MICROWAVE MOTION SENSOR, DIMMING CONTROL OUTPUT 1-10V DC

Product №	Voltage	Frequency	Max. load	Time delay	Stand-by period at dimming level	Ambient light threshold	Stand-by dimming level	IP
MDS	220 - 240 V AC	50/60 Hz	800 W	5 sec. - 30 min.	0 sec. - +∞	2-2000 lx	10%-50%	IP65

Time delay, ambient light threshold, detection range and dimming level can be adjusted.  
Dimming control output: 1-10V DC / 50 mA

**3** YEARS WARRANTY

UV Protection  
IP65



### MICROWAVE SENSOR FOR SURFACE MOUNTING

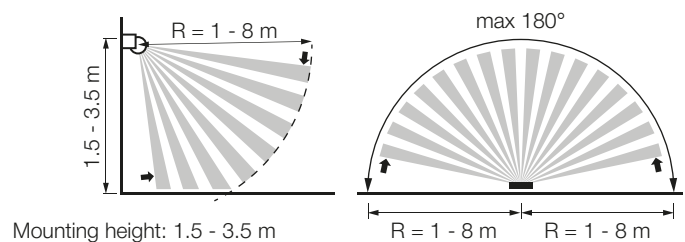
Product №	Voltage	Frequency	Max. load	Time delay	Ambient light threshold	IP
MSOM	220 - 240 V AC	50/60 Hz	300 / 1200 W*	10 sec. - 12 min.	3 - 2000 lx	IP44

Time delay, ambient light threshold and detection range can be adjusted.

\* active / reactive load

**2** YEARS WARRANTY

IP44



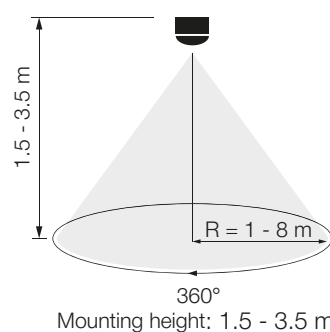
### MICROWAVE SENSOR FOR BUILDING-IN

Product №	Voltage	Frequency	Max. load	Time delay	Ambient light threshold	IP
MSV	220 - 240 V AC	50/60 Hz	300 / 1200 W*	10 sec. - 12 min.	3 - 2000 lx	IP20

Time delay, ambient light threshold and detection range can be adjusted.

\* active / reactive load

**2** YEARS WARRANTY



# Dimming control devices

2 YEARS WARRANTY



## RF REMOTE CONTROL, ONE ZONE

Product N°	Control zones	Voltage	Max. output current	Type of control	IP
SDR1Z	1	1 x CR2032	-	2.4G RF	IP20

SDR1Z is an RF remote control for managing the lighting in one selected zone. It operates with the dimmers SDTD, SDWTD, SDW010D.

2 YEARS WARRANTY



## RF TRIAC DIMMER 230 V AC

Product N°	Voltage	Frequency	Max. power	Max. output current	Type of control	IP
SDTD	220-240 V AC	50/60 Hz	220 W max	1 A max	2.4G RF PUSH	IP20

Push dimming / remote control  
AC dimming (TRIAC)

SDTD is a TRIAC RF dimmer that can control AC TRIAC leading/trailing edge dimming drivers. The dimmer has a working range of 220V-240V AC / 50-60 Hz. Compatible with a SDR1Z remote control or with a push button. Designed for console mounting.

2 YEARS WARRANTY



## RF TRIAC DIMMING WALL SWITCH 230 V AC

Product N°	Voltage	Frequency	Max. power	Max. output current	Type of control	IP
SDWTD	220-240 V AC	50/60 Hz	220 W max	1 A max	2.4G RF	IP20

Remote control  
AC dimming (TRIAC)

SDWTD is a TRIAC RF dimming wall switch that allows AC control of leading/trailing edge dimmable drivers. The dimmer has a working range of 220-240 V AC / 50-60 Hz. Compatible with a SDR1Z remote control.

2 YEARS WARRANTY



## RF 0-10V DC DIMMING WALL SWITCH 230 V AC

Product N°	Voltage	Frequency	Max. power	Max. output current	Type of control	IP
SDW010D	220-240 V AC	50/60 Hz	-	1.5 A max	2.4G RF	IP20

Remote control device  
Supply voltage 220-240 V AC / 50-60 Hz  
Controlling voltage 0-10 V DC / 20 mA  
Max. output power (ON/OFF): 350 W

SDW010D is a dimming wall switch, designed to operate with 0-10 V DC dimmable drivers. Compatible with a SDR1Z remote control.

2 YEARS WARRANTY



## TRIAC DIMMER 12-48 V DC

Product N°	Voltage	Max. power	Max. output current	Type of control	IP
SDTD4815	12-48 V DC	180 W (12V) 360 W (24V) 720 W (48V)	15 A max	TRIAC PUSH	IP20

Voltage 12-48 V DC

Control: PUSH dimming / AC dimming (TRIAC)

SDTD4815 is a LED strip dimmer that can be controlled by TRIAC dimming switch (AC dimming) or a push button. It works in a wide range of voltage 12-48 V DC (needs an external DC power supply). Compatible with SDTD and SDWTD dimming switches.

# 2.4G SMART control system

The 2.4G SMART lighting control system contains a range of RF remotes, switches and dimmable drivers. It is designed to control LED lighting in up to four zones.



2 YEARS WARRANTY

## 2.4G RF REMOTE CONTROL, 4 ZONES

Product N°	Control zones	Voltage	Type of control	IP
SSR4Z	4	2 x AAA batteries 1.5 V	2.4G RF	IP20

SSR4Z is an RF remote control device that can manage up to four zones of previously paired 2.4G RF drivers, dimmers, controllers and switches from the same 2.4G series. The kit includes a wall hanger, a mounting sticker and a fastener.



2 YEARS WARRANTY

## 2.4G RF TOUCH REMOTE CONTROL, 1 ZONE

Product N°	Control zones	Voltage	Type of control	IP
SSR1Z	1	3 x AAA batteries 1.5 V	2.4G RF	IP20

SSR1Z is an RF touch remote control device that can manage only a single zone of previously paired 2.4G RF drivers, dimmers, controllers and switches from the same 2.4G series.

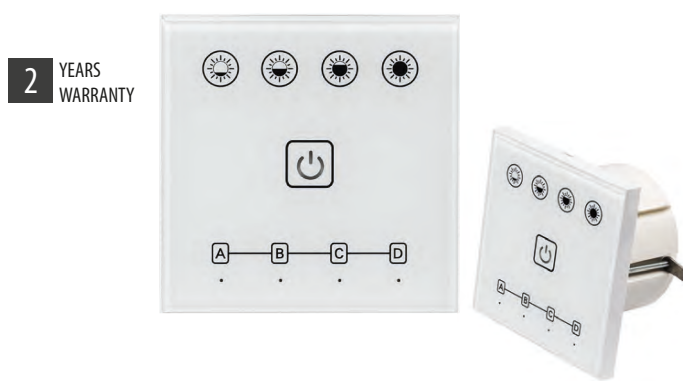


2 YEARS WARRANTY

## 2.4G RF TOUCH WALL PANEL, 1 ZONE

Product N°	Control zones	Voltage	Type of control	IP
SSW1Z	1	220-240 V AC 50/60 Hz	2.4G RF	IP20

SSW1Z is an RF touch remote control device for wall mounting that can manage only a single zone of previously paired 2.4G RF drivers, dimmers, controllers and switches from the same 2.4G series.



2 YEARS WARRANTY

## 2.4G RF TOUCH WALL PANEL, 4 ZONES

Product N°	Control zones	Voltage	Type of control	IP
SSW4Z	4	220-240 V AC 50/60 Hz	2.4G RF	IP20

SSW4Z is an RF touch remote control device for wall mounting that can manage up to four zones of previously paired 2.4G RF drivers, dimmers, controllers and switches from the same 2.4G series.



**2** YEARS WARRANTY

### 2.4G RF DIMMABLE DRIVER

Product N°	Input voltage	Frequency	Max. output voltage	Max. load	Max. output current	Type of control	IP
SSD13300	220 - 240 V	50/60 Hz	42 V DC	13 W	300 mA	2.4G RF	IP20

SSD13300 is a dimmable 13W LED driver with max. output current of 300 mA DC. It can be controlled with any Ultralux® 2.4G RF remote control device. The driver is compatible with Ultralux® Indirect LED downlights: ILDR-/ILDS- 8W and 12W.



**2** YEARS WARRANTY

### 2.4G RF DIMMABLE DRIVER

Product N°	Input voltage	Frequency	Max. output voltage	Max. load	Max. output current	Type of control	IP
SSD24230	220 - 240 V	50/60 Hz	105 V DC	24 W	230 mA	2.4G RF	IP20

SSD24230 is a dimmable 24W LED driver with max. output current of 230 mA DC. It can be controlled with any Ultralux® 2.4G RF remote control device. It is compatible with Ultralux® LED downlights: LLV1842, LLV2442.



**2** YEARS WARRANTY

### 2.4G RF DIMMABLE DRIVER

Product N°	Input voltage	Frequency	Max. output voltage	Max. load	Max. output current	Type of control	IP
SSD40850	220 - 240 V	50/60 Hz	42 V DC	40 W	850 mA	2.4G RF	IP20

SSD40850 is a dimmable 40W LED driver with max. output current 850 mA DC. It can be controlled with any Ultralux® 2.4G RF remote control device. It is compatible with UltraLux® LED panels: LPLG664042, LP664060, LP664042, LP2201234060, LP1234042.



**2** YEARS WARRANTY

### 2.4G RF DIMMER

Product N°	Voltage	Max. load	Max. output current	Type of control	IP
SSD1216	12-24 V DC	192 W (12V) 384 W (24V)	2 x 8 A	2.4G RF	IP20

SSD1216 is a dimmer designed for LED strips. It can be controlled with any Ultralux® 2.4G RF remote control device and is compatible with all 12 V DC and 24 V DC Ultralux® LED strips.



**2** YEARS WARRANTY

### 2.4G RF ON/OFF SWITCH

Product N°	Voltage	Frequency	Max. load	Type of control	IP
SSK500	220-240 V AC	50/60 Hz	500 W	2.4G RF	IP20

SSK500 is an ON/OFF switch, designed for LED lighting. It can be controlled with any Ultralux® RF remote control in the series.



**2** YEARS WARRANTY

### 2.4G RF 0-10V CONTROLLER

Product N°	Voltage	Frequency	Max. load	Type of control	IP
SSC010	220-240 V AC	50/60 Hz	500 W	2.4G RF	IP20

SSC010 is a controller, designed for dimming drivers with control voltage 0-10 V DC / 50 mA. It is compatible with any Ultralux® RF remote control in the series.





**UltraLux®**

# 2.4G SMART RGBW lighting system

The **2.4G SMART RGBW** system consists of an RF multifunctional controller and a remote control. The controller supports four control modes: single-coloured LED strip, colour temperature control, RGB and RGBW LED strips. LED lighting can be grouped up to 4 zones.



**2** YEARS WARRANTY

## 2.4G RF MULTIFUNCTIONAL TOUCH REMOTE CONTROL, 4 ZONES

Product №	Control zones	Voltage	Max. output current	Type of control	IP
SSMFR4Z	4	2 x AAA batteries 1.5 V	-	2.4G RF	IP20

SSMFR4Z is an RF multifunctional TOUCH remote control, that supports four modes of control and grouping of LED lighting up to four zones. An unlimited number of remote controls can be used in one system. It is designed for use with the SSMFC24A multifunction controller.



**2** YEARS WARRANTY



## 2.4G RF 4 IN 1 MULTIFUNCTIONAL CONTROLLER

Product №	Voltage	Max. power	Max. output current	Type of control	IP
SSMFC24A	12-48 V DC	288 W (12V) 576 W (24V) 576 W (48V)	4 x 6 A (12-24V) 4 x 3 A (48V)	2.4G RF	IP20

SSMFC24A is a multifunctional RF controller for LED strip, which maintains **four working modes**: single colour LED strip control, colour temperature control, RGB and RGBW LED strips. The controller has a wide operating voltage range: from 12 V DC to 48 V DC. It is controlled by the SSMFR4Z multifunction remote control.



**UltraLux**<sup>®</sup>

## Professional LED strips

The professional line of UltraLux<sup>®</sup> LED strips is designed for carrying out professional projects with longer working time. This line uses components with excellent quality: flexible copper PCBs (99.99% Cu); LED chips with high efficiency and color rendering index ( $R_a > 80$ ); double-layered PCBs with circuit thickness up to 4 oz, depending on the strip's power. In order to increase the strips efficiency, a current control is used, as well as 24V DC and 48V DC operational voltages. The color temperature's matching is  $SDCM^* < 3$ .

A nano-silicone coating ensures the IP54 protection rate. The IP67 models are protected by an extruded silicone tube, filled with gel.

The standard length of the strip is 5 m (for 24V DC) and 10 m (for 48V DC).

\* Standard Deviation Colour Matching (MacAdam Ellipse).

## PROFESSIONAL LED STRIPS, 24V DC

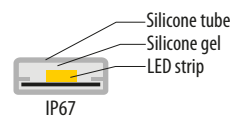
Product №	Power	LED type	LED Qty	Colour temperature	CRI	Rated Luminous Flux	Beam angle	IP	Width
PN3560N	4.8 W/m	3528	60/m	4200 K	≥80	400 lm/m	120°	IP20	8 mm
PN3560W	4.8 W/m	3528	60/m	2700 K	≥80	400 lm/m	120°	IP20	8 mm
PN3560WN	4.8 W/m	3528	60/m	4200 K	≥80	400 lm/m	120°	IP54	8 mm
PN3560WW	4.8 W/m	3528	60/m	2700 K	≥80	400 lm/m	120°	IP54	8 mm
PN35120N	9.6 W/m	3528	120/m	4200 K	≥80	700 lm/m	120°	IP20	10 mm
PN35120W	9.6 W/m	3528	120/m	2700 K	≥80	700 lm/m	120°	IP20	10 mm
PN35120WN	9.6 W/m	3528	120/m	4200 K	≥80	700 lm/m	120°	IP54	10 mm
PN2860ZN*	9.6 W/m	2835	60/m	4200 K	≥80	800 lm/m	120°	IP20	8 mm
PN2860ZW*	9.6 W/m	2835	60/m	2700 K	≥80	800 lm/m	120°	IP20	8 mm
PN5060CCN**	14.4 W/m	5050	60/m	4200 K	≥80	1020 lm/m	120°	IP20	10 mm
PN5060CCW**	14.4 W/m	5050	60/m	2700 K	≥80	1020 lm/m	120°	IP20	10 mm
PN5060N	14.4 W/m	5050	60/m	4200 K	≥80	1000 lm/m	120°	IP20	10 mm
PN5060W	14.4 W/m	5050	60/m	2700 K	≥80	1000 lm/m	120°	IP20	10 mm
PN28240N	19.2 W/m	2835	240/m	4200 K	≥80	1600 lm/m	120°	IP20	10 mm
PN28240W	19.2 W/m	2835	240/m	2700 K	≥80	1600 lm/m	120°	IP20	10 mm
PN5060RGBW	19.2 W/m	5050	60/m	RGB+4200 K	≥80	400 lm/m (4200 K)	120°	IP20	12 mm
PN5060RGB	14.4 W/m	5050	60/m	RGB	/	/	120°	IP20	10 mm
PN506067RGB***	14.4 W/m	5050	60/m	RGB	/	/	120°	IP67	12 mm
PN356067RGB***	14.4 W/m	3535	60/m	RGB	/	/	120°	IP67	8 mm

\* The models PN2860ZN and PN2860ZW can bend in different angles;

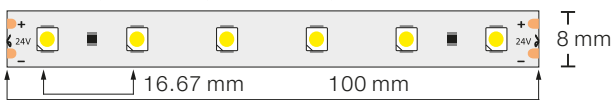
\*\* The models PN5060CCN and PN5060CCW maintain constant power and brightness along the strip due to constant current control IC;

\*\*\* The models PN506067RGB and PN356067RGB include 15 pcs. silicone clips, 5 pcs. end caps and flexible power connectors IP67 (female + male).

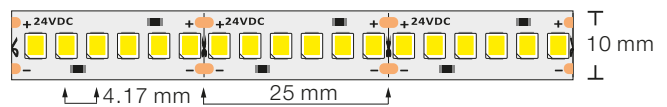
Length: 5 meters



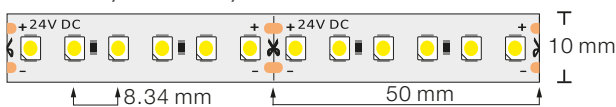
PN3560N, PN3560W, PN3560WN, PN3560WW



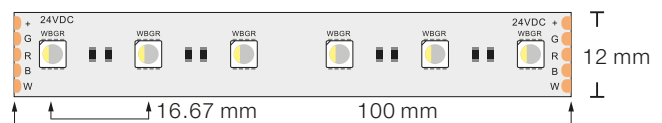
PN28240N, PN28240W



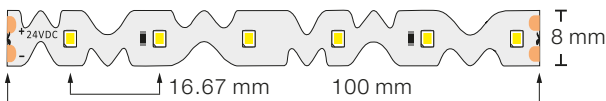
PN35120N, PN35120W, PN35120WN



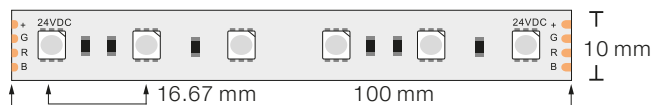
PN5060RGBW



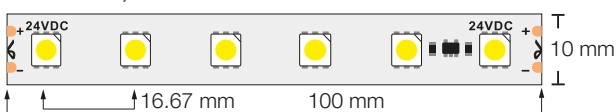
PN2860ZN, PN2860ZW



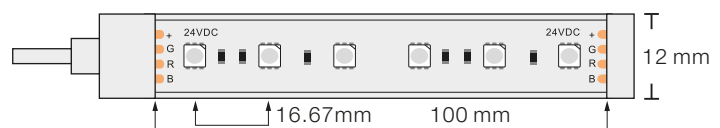
PN5060RGB



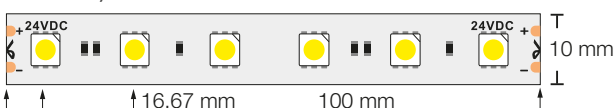
PN5060CCN, PN5060CCW



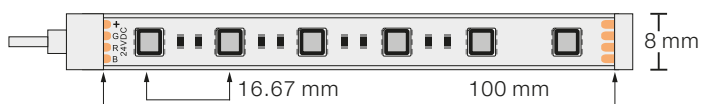
PN506067RGB

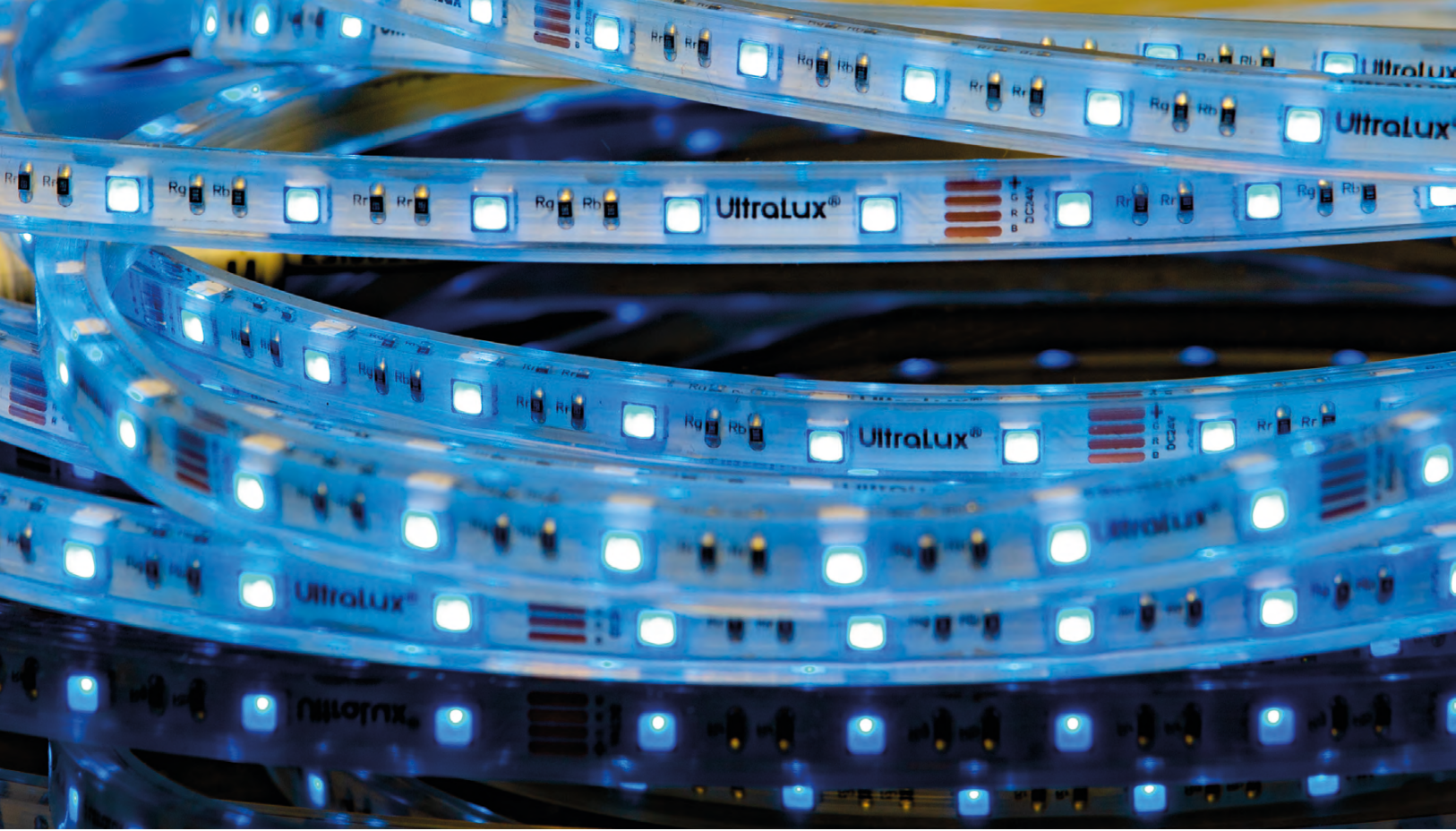


PN5060N, PN5060W



PN356067RGB





# UltraLux®

## PROFESSIONAL LED STRIPS, 48V DC

Product N°	Power	LED type	LED Qty	Colour temperature	CRI	Rated Luminous Flux	Beam angle	IP	Width
PS35112N	7.0 W/m	3528	112/m	4200 K	≥80	840 lm/m	120°	IP20	10 mm
PS35112W	7.0 W/m	3528	112/m	2700 K	≥80	820 lm/m	120°	IP20	10 mm
PS3511267C	7.0 W/m	3528	112/m	5500 K	≥80	820 lm/m	120°	IP67	12 mm
PS3511267N	7.0 W/m	3528	112/m	4200 K	≥80	800 lm/m	120°	IP67	12 mm
PS3511267W	7.0 W/m	3528	112/m	2700 K	≥80	780 lm/m	120°	IP67	12 mm

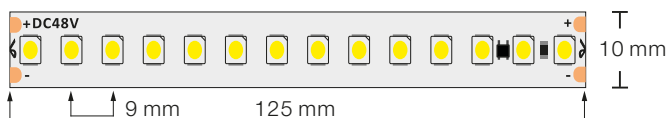
All models have a constant current control IC.

The models PS3511267C, PS3511267N and PS3511267W include 35 pcs. silicone clips, 8 pcs. end caps and flexible power connectors IP67 (female + male).

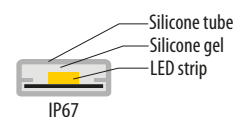
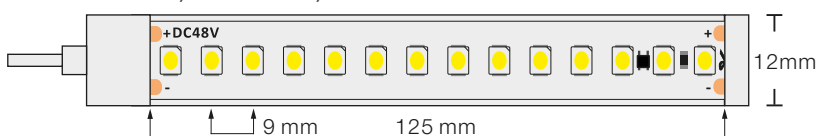
Length: 10 meters

**3** YEARS WARRANTY

### PS35112N, PS35112W



### PS3511267C, PS3511267N, PS3511267W



# Power supplies and accessories for professional LED strips

**2** YEARS WARRANTY

## POWER SUPPLY FOR LED LIGHTING, 24V DC

Product №	Input voltage	Frequency	Output voltage	Max. output power	Max. output current	Dimensions, mm	IP
ZNWJ2425	90-260 V AC	50/60 Hz	24 V DC	25 W	1 A	85/58/35	IP20
ZNWJ2450	90-260 V AC	50/60 Hz	24 V DC	50 W	2 A	110/80/35	IP20
ZNWJ2475	110/220 V AC	50/60 Hz	24 V DC	75 W	3A	158/98/40	IP20
ZNWJ24100	110/220 V AC	50/60 Hz	24 V DC	100 W	4A	158/98/40	IP20
ZNWJ24150	110/220 V AC	50/60 Hz	24 V DC	150 W	6.5 A	198/98/42	IP20
ZNWJ24300	110/220 V AC	50/60 Hz	0-24 V DC	300 W	12.5 A	200/115/50	IP20



**2** YEARS WARRANTY

## SLIM POWER SUPPLY FOR LED LIGHTING, 24V DC

Product №	Input voltage	Frequency	Output voltage	Max. output power	Max. output current	Dimensions, mm	IP
ZBLJ2460	180-260 V AC	50/60 Hz	24 V DC	60 W	2.5 A	170/49/29	IP20
ZBLJ24100	180-260 V AC	50/60 Hz	24 V DC	100 W	4.2 A	255/49/29	IP20
ZBLJ24150	180-260 V AC	50/60 Hz	24 V DC	150 W	6.25 A	255/49/29	IP20
ZBLJ24200	180-260 V AC	50/60 Hz	24 V DC	200 W	8.35 A	330/49/29	IP20
ZBLJ24300	180-260 V AC	50/60 Hz	24 V DC	300 W	12.5 A	255/63/29	IP20



**2** YEARS WARRANTY

## POWER SUPPLY FOR LED LIGHTING, 24V DC, WATERPROOF

Product №	Input voltage	Frequency	Output voltage	Max. output power	Max. output current	Dimensions, mm	IP
ZWJ24100	180-250 V AC	50/60 Hz	24 V DC	100 W	4.2 A	215/53/38	IP67



**2** YEARS WARRANTY

## POWER SUPPLY FOR LED LIGHTING, 48V DC

Product №	Input voltage	Frequency	Output voltage	Max. output power	Max. output current	Dimensions, mm	IP
ZNWJ48200	110/220 V AC	50/60 Hz	48V DC	200 W	4.2 A	198/102/45	IP20



### Power supply without a fan

SET OF FLEXIBLE POWER CONNECTORS WITH LOCK, FEMALE AND MALE, IP67

Designed for models PS3511267C, PS3511267N and PS3511267W

Double insulated cable:  $2 \times 0.5 \text{ mm}^2$   
Length: 15 cm



RGBW FLAT CABLE, 50 m

Cable cross section:  $5 \times 0.5 \text{ mm}^2$   
Max. current: 8 A



KB505RGBW



SET OF RGB FLEXIBLE POWER CONNECTORS WITH LOCK, FEMALE AND MALE, IP67

Designed for models PN506067RGB and PN356067RGB

Double insulated cable:  $2 \times 0.3 \text{ mm}^2$   
Length: 15 cm



PKFM67RGB



# LED Industrial fixtures

The wide range of industrial LED lighting is focused toward developing and production of products with maximum efficiency and energy-saving. The attention to detail in every component, and mostly in achieving high technical parameters are a sure guarantee for the excellent quality and the reliable operation of the **Ultralux®** products.

Designed for lighting of warehouses, industrial and production premises, replacing the old and less efficient luminaries. The long life of the LED chips and the low lighting decay meet all the requirements for long and reliable operation. Our product's light is without flicker and has a high index of CRI, which significantly improves the working process, making the workplace brighter, thus safer, and reducing the number of eventual mistakes. The fixtures casings are made of high-quality polycarbonate/aluminium and the suspending accessories are made of stainless steel.

Application:

- industrial and production premises;
- parking lots;
- warehouses;
- indoor and outdoor facilities.

## LED INDUSTRIAL BULB

**3** YEARS WARRANTY

PRODUCED FOR CONTINUOUS OPERATION IN INDUSTRIAL LIGHTING FIXTURES WITH A DESIGN THAT ENSURES GOOD COOLING.



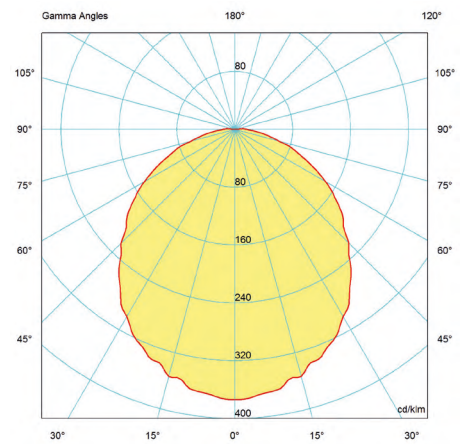
Product N°	Power	Base	Voltage	Frequency	PF	Colour temperature	CRI	Luminous flux	Beam angle	IP	Weight	L80B30*
LB302742	30 W	E27	220 - 240 V AC	50/60 Hz	>0.90	4200 K	>80	2650 lm	330°	IP20	0.40 kg	>30000 h

## WATERPROOF LED CEILING LAMP

**3** YEARS WARRANTY

IP66  
IK10  
GWT 850°C

FLICKER-FREE  
HOUSING AND DIFFUSER: PC LG



Product N°	Power	Voltage	Frequency	PF	Colour temperature	CRI	Total luminous flux	Beam angle	IP	Weight	L80B30*
LWP2201445	14 W	220 - 240 V AC	50/60 Hz	>0.95	4500 K	>80	1500 lm	120°	IP66	1.00 kg	>50000 h

## LED CEILING LAMP WITH MICROWAVE DIMMING SENSOR, SQUARE

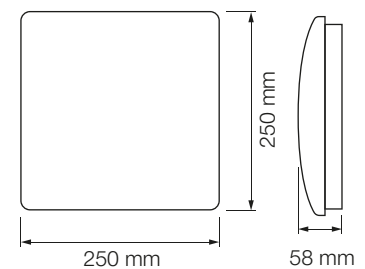
**2** YEARS WARRANTY



Detection distance: 5 - 15 m (wall mounting), 2 - 8 m (ceiling mounting)  
Mounting height: 1.5 - 3.5 m (wall mounting), 2 - 4 m (ceiling mounting)  
Ambient light threshold: 5-2000 lx  
Time delay: 5 sec - 10 min  
Stand-by dimming mode: 0 sec. - +∞

Time delay, ambient light threshold and detection distance are adjustable.  
2 dimming levels: 10% / 20%  
Soft dimming function

Housing: PBT  
Diffuser: PC



Product N°	Power	Voltage	Frequency	PF	Colour temperature	CRI	Total luminous flux	Beam angle	IP	Weight	L80B30*
SPLM1240D	12 W	220 - 240 V AC	50/60 Hz	>0.95	4000 K	>80	850 lm	120°	IP20	0.5 kg	>25000 h

\* Lumen degradation lifetime with 20%



## LED LINEAR FIXTURE, THERMOPLASTIC

**2** YEARS WARRANTY

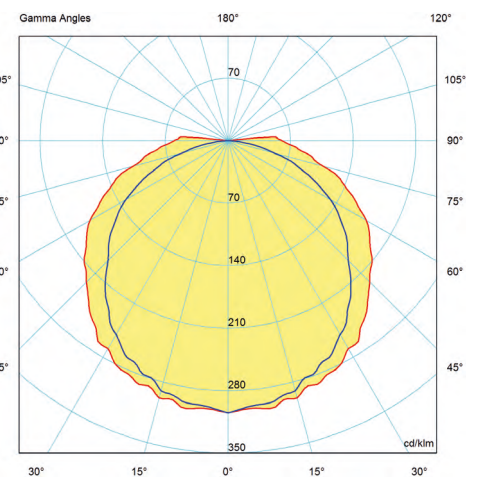
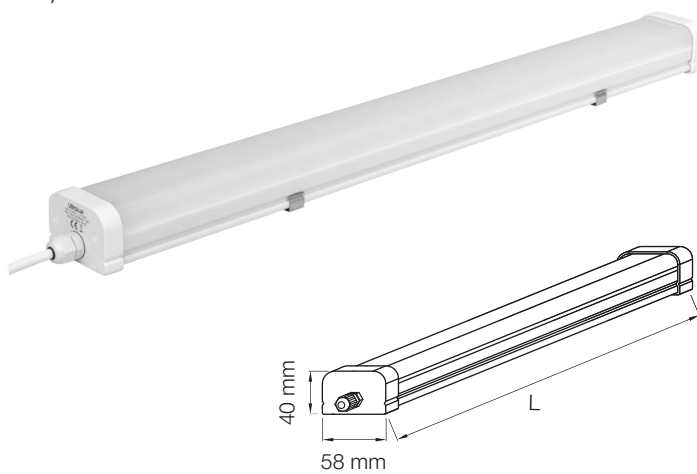
**IP65**

**IK08**

**FLICKER-FREE**

Housing: PC

Diffuser: PC



Product №	Power	Voltage	Frequency	PF	Colour temperature	CRI	Total luminous flux	Beam angle	Length, L	IP	Weight	L80B30*
LLF3642	36 W	220 - 240 V AC	50/60 Hz	>0.90	4200 K	>80	3600 lm	180°	1200 mm	IP65	1.50 kg	>25000 h
LLF3660	36 W	220 - 240 V AC	50/60 Hz	>0.90	6000 K	>80	3600 lm	180°	1200 mm	IP65	1.50 kg	>25000 h
LLF1842	18 W	220 - 240 V AC	50/60 Hz	>0.90	4200 K	>80	1800 lm	180°	600 mm	IP65	1.20 kg	>25000 h
LLF1860	18 W	220 - 240 V AC	50/60 Hz	>0.90	6000 K	>80	1800 lm	180°	600 mm	IP65	1.20 kg	>25000 h

\* Lumen degradation lifetime with 20%



## LED INDUSTRIAL LINEAR LIGHTING FIXTURE, PC HOUSING

**3** YEARS WARRANTY

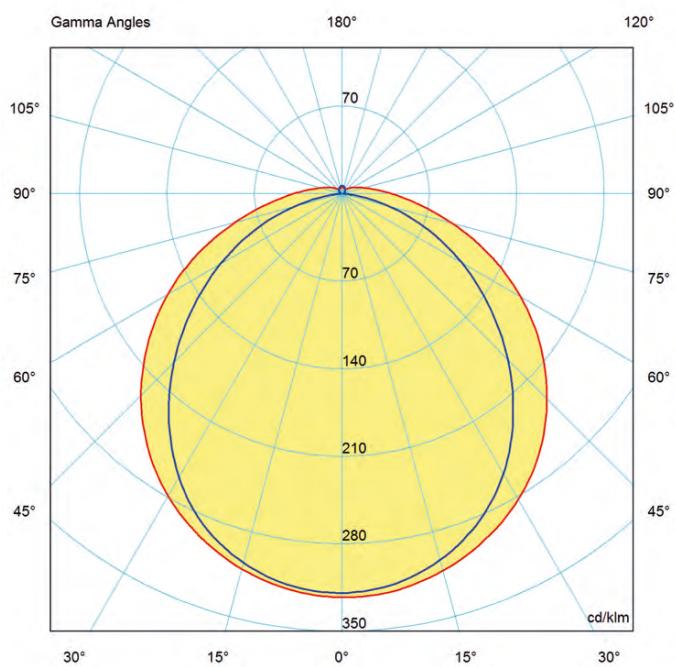
**IP66**  
**IK10**  
**GWT 850° C**

120 LM/W  
LED TYPE: LG  
DRIVER: OSRAM/TRIDONIC  
HOUSING: PC LG  
DIFFUSER: PC LG  
MOUNTING BRACKETS AND CLAMPS: STAINLESS STEEL  
FLICKER-FREE

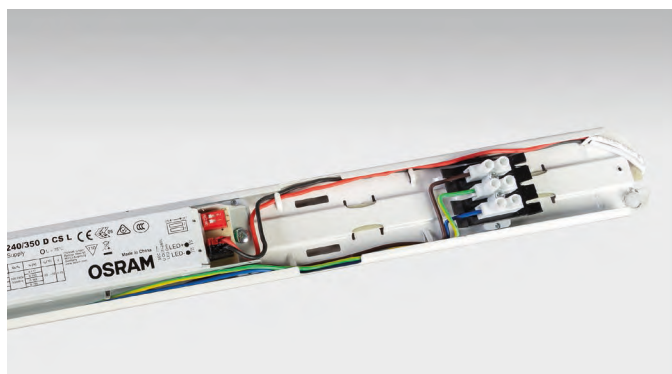
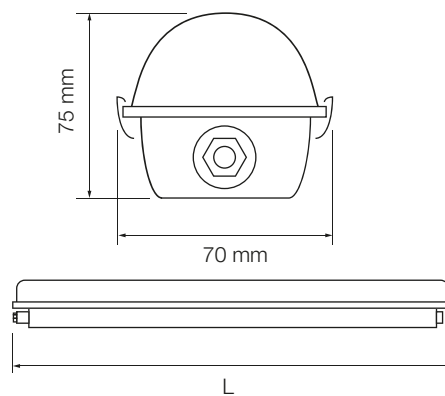


Product №	Power	Voltage	Frequency	PF	Colour temperature	CRI	Total luminous flux	Beam angle	Length, L	IP	Weight	L80B30*
LITS1504540	45 W	220 - 240 V AC	50/60 Hz	>0.90	4000 K	>80	5400 lm	120°	1507 mm	IP66	1.50 kg	>50000 h
LITS1504550	45 W	220 - 240 V AC	50/60 Hz	>0.90	5000 K	>80	5400 lm	120°	1507 mm	IP66	1.50 kg	>50000 h
LITS1203040	30 W	220 - 240 V AC	50/60 Hz	>0.90	4000 K	>80	3600 lm	120°	1207 mm	IP66	1.20 kg	>50000 h
LITS1203050	30 W	220 - 240 V AC	50/60 Hz	>0.90	5000 K	>80	3600 lm	120°	1207 mm	IP66	1.20 kg	>50000 h

\* Lumen degradation lifetime with 20%



Light distribution diagram



# LED INDUSTRIAL LINEAR LIGHTING FIXTURE, PC HOUSING

**5** YEARS WARRANTY

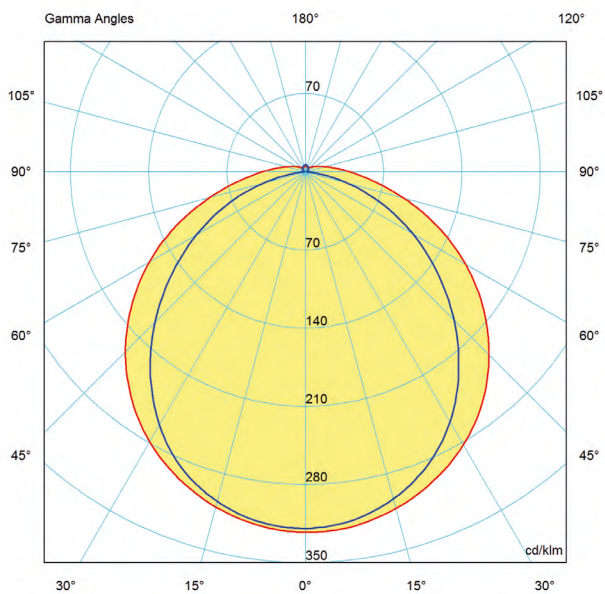
140 LM/W  
 LED TYPE: LG  
 DRIVER: OSRAM/TRIDONIC  
 HOUSING: PC LG  
 DIFFUSER: PC LG  
 MOUNTING BRACKETS AND CLAMPS: STAINLESS STEEL  
 FLICKER-FREE

IP66  
 IK10  
 GWT 850° C

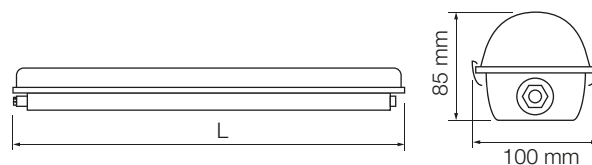


Product №	Power	Voltage	Frequency	PF	Colour temperature	CRI	Total luminous flux	Beam angle	Length, L	IP	Weight	L80B30*
LITH1505440	54 W	220 - 240 V AC	50/60 Hz	>0.95	4000 K	>80	7500 lm	120°	1560 mm	IP66	1.95 kg	>50000 h
LITH1505450	54 W	220 - 240 V AC	50/60 Hz	>0.95	5000 K	>80	7500 lm	120°	1560 mm	IP66	1.95 kg	>50000 h
LITH1504040	40 W	220 - 240 V AC	50/60 Hz	>0.95	4000 K	>80	5600 lm	120°	1560 mm	IP66	1.95 kg	>50000 h
LITH1504050	40 W	220 - 240 V AC	50/60 Hz	>0.95	5000 K	>80	5600 lm	120°	1560 mm	IP66	1.95 kg	>50000 h
LITH1502240	22 W	220 - 240 V AC	50/60 Hz	>0.95	4000 K	>80	3100 lm	120°	1560 mm	IP66	1.95 kg	>50000 h
LITH1502250	22 W	220 - 240 V AC	50/60 Hz	>0.95	5000 K	>80	3100 lm	120°	1560 mm	IP66	1.95 kg	>50000 h
LITH1203640	36 W	220 - 240 V AC	50/60 Hz	>0.95	4000 K	>80	5000 lm	120°	1220 mm	IP66	1.60 kg	>50000 h
LITH1203650	36 W	220 - 240 V AC	50/60 Hz	>0.95	5000 K	>80	5000 lm	120°	1220 mm	IP66	1.60 kg	>50000 h
LITH1202840	28 W	220 - 240 V AC	50/60 Hz	>0.95	4000 K	>80	4000 lm	120°	1220 mm	IP66	1.60 kg	>50000 h
LITH1202850	28 W	220 - 240 V AC	50/60 Hz	>0.95	5000 K	>80	4000 lm	120°	1220 mm	IP66	1.60 kg	>50000 h
LITH601840	18 W	220 - 240 V AC	50/60 Hz	>0.95	4000 K	>80	2600 lm	120°	600 mm	IP66	0.90 kg	>50000 h
LITH601850	18 W	220 - 240 V AC	50/60 Hz	>0.95	5000 K	>80	2600 lm	120°	600 mm	IP66	0.90 kg	>50000 h

\* Lumen degradation lifetime with 20%



Light distribution diagram





## LED INDUSTRIAL LINEAR LIGHTING FIXTURE

**3** YEARS WARRANTY

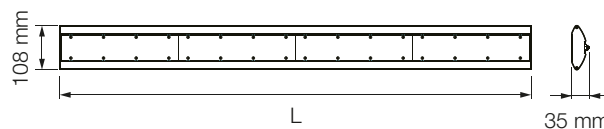
**120 LM/W**  
LED TYPE: BRIDGELUX  
DRIVER: DOB

**IP54**

HOUSING: ALUMINIUM  
DIFFUSER: PMMA

**IK08**

OPTION FOR DIRECT MOUNTING OR SUSPENSION



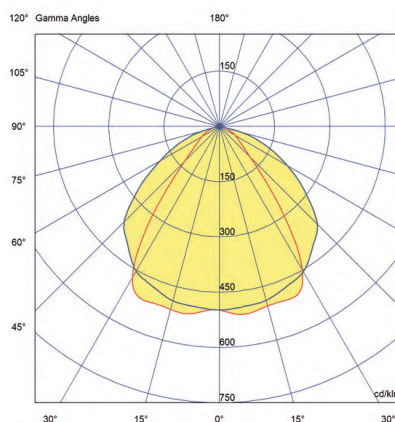
Product N°	Power	Voltage	Frequency	PF	Colour temperature	CRI	Total luminous flux	Beam angle**	Length, L	IP	Weight	L80B30*
LDH7040	70 W	220 - 240 V AC	50/60 Hz	>0.95	4000K	>80	8400 lm	90x110°/2x25°	581 mm	IP54	1.40 kg	>50000 h
LDH10040	100 W	220 - 240 V AC	50/60 Hz	>0.95	4000K	>80	12000 lm	90x110°/2x25°	868 mm	IP54	2.10 kg	>50000 h
LDH15040	150W	220 - 240 V AC	50/60 Hz	>0.95	4000K	>80	18000 lm	90x110°/2x25°	1150 mm	IP54	3.80 kg	>50000 h

\* Lumen degradation lifetime with 20%

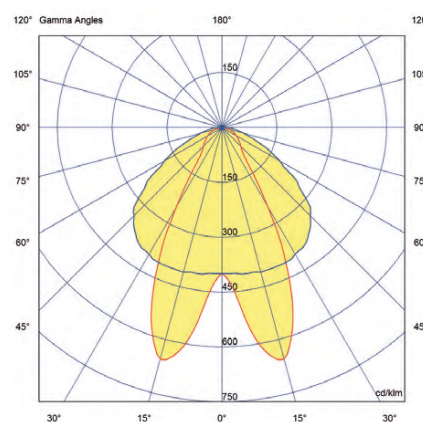


\*\* DIFFUSER  
FOR LED INDUSTRIAL LINEAR LIGHTING FIXTURE

Product N°	Angle
LDH25DA	2x25°
LDH90110	90°x110°



Lighting distribution  
with a diffuser 90°x110° (LDH90110)



Lighting distribution  
with a diffuser 2x25° (LDH25DA)



# UltraLux®

## LED HIGH BAY



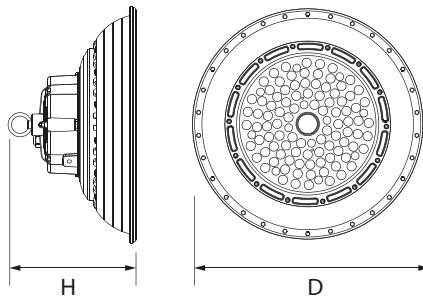
**5** YEARS WARRANTY

**IP65  
IK08**



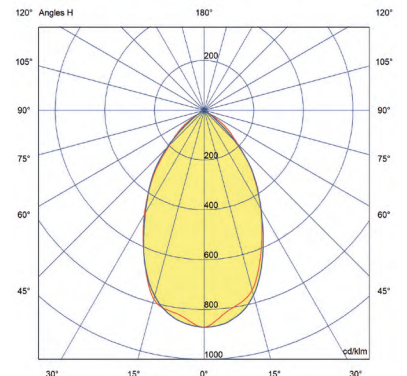
145 LM/W  
LED TYPE: OSRAM  
DRIVER: SOSEN  
HOUSING: ALUMINIUM  
DIFFUSER: UV-RESISTANT PC.

THE INSTALLATION CAN BE DONE WITH A MOUNTING BRACKET OR A HOOK.  
FLICKER-FREE

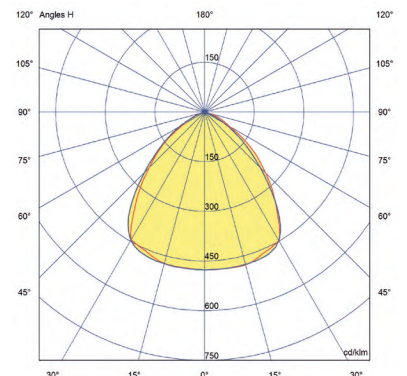


### \*\* DIFFUSERS FOR LED HIGH BAY LIKZ SERIES

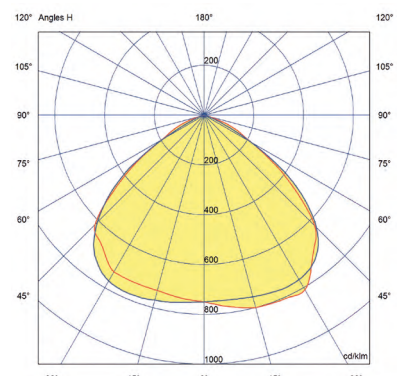
Angle	LIKZ10050	LIKZ15050	LIKZ20050
60°	LIKZ100L60	LIKZ150L60	LIKZ200L60
90°	LIKZ100L90	LIKZ150L90	LIKZ200L90
110°	LIKZ100L110	LIKZ150L110	LIKZ200L110



LIGHTING DISTRIBUTION WITH A DIFFUSER 60°  
(ULTRALUX® LIKZ100L60 / LIKZ150L60 / LIKZ200L60)



LIGHTING DISTRIBUTION WITH A DIFFUSER 90°  
(ULTRALUX® LIKZ100L90 / LIKZ150L90 / LIKZ200L90)



LIGHTING DISTRIBUTION WITH A DIFFUSER 110°  
(ULTRALUX® LIKZ100L110 / LIKZ150L110 / LIKZ200L110)

Product №	Power	Voltage	Frequency	PF	Colour temperature	CRI	Total luminous flux	Beam angle**	Dimensions D/H	IP	Weight	L80B30*
LIKZ10050	100 W	220 - 240 V AC	50/60 Hz	>0.95	5000K	>80	14500 lm	60°/90°/110°	Ø295/180 mm	IP65	1.90 kg	>50000 h
LIKZ15050	150W	220 - 240 V AC	50/60 Hz	>0.95	5000K	>80	21750 lm	60°/90°/110°	Ø340/190 mm	IP65	2.90 kg	>50000 h
LIKZ20050	200W	220 - 240 V AC	50/60 Hz	>0.95	5000K	>80	29000 lm	60°/90°/110°	Ø365/200 mm	IP65	3.40 kg	>50000 h

\* Lumen degradation lifetime with 20%



## LED INDUSTRIAL LIGHTING FIXTURE

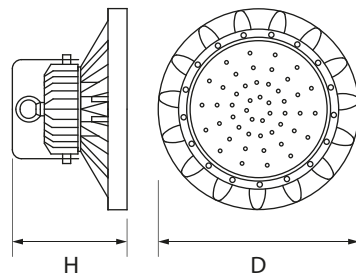


**5** YEARS WARRANTY



**IP65**  
**IK08**

145 LM/W  
DIMMING: 1-10 V DC  
BREATHING VALVE  
LED TYPE: SEOUL  
DRIVER: SOSEN  
HOUSING: АЛУМИНИЙ  
DIFFUSER: UV-RESISTANT PC.  
THE INSTALLATION CAN BE DONE WITH A MOUNTING BRACKET OR A HOOK.  
FLICKER-FREE



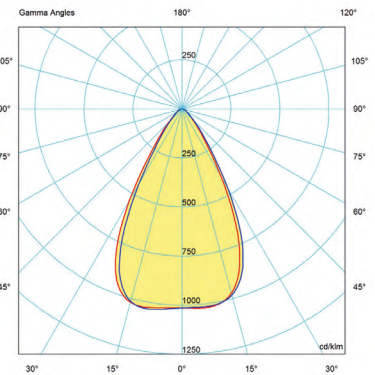
The LED fixture from the LIK line is very suitable for lighting of warehouses, industrial and production facilities, replacing the old, less efficient luminaries. It has a long life, high efficiency (145 lm/W), innovative, light and impact resistant housing (IK08). The high ingress protection rate (IP65) makes it an excellent choice for both indoor and outdoor projects. The fixture helps to significantly reduce the energy consumption. It has a breathing valve, which prevents the penetration of moisture into the housing. Another important advantage is that it could be dimmed with control voltage 1-10V DC.

The fixture has different options of light distribution with 60°, 90° and 120° diffusers. It is also offered with a mounting bracket and a hook for greater convenience.

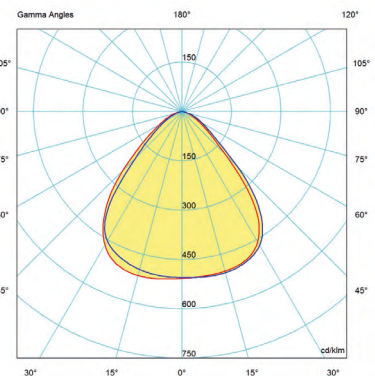
Application:

- warehouses;
- industrial facilities.

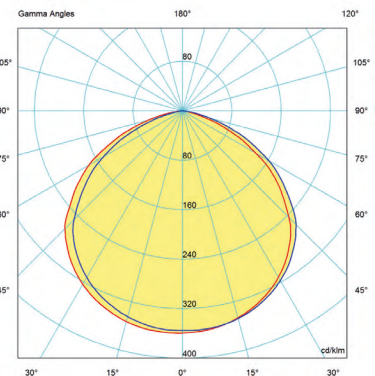
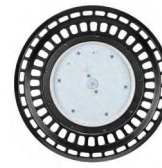
LIGHTING DISTRIBUTION WITH A DIFFUSER 60° (ULTRALUX® LIKL60, LIKL15060)



LIGHTING DISTRIBUTION WITH A DIFFUSER 90° (ULTRALUX® LIKL90, LIKL15090)



LIGHTING DISTRIBUTION WITH A DIFFUSER 120° (ULTRALUX® LIKL120)



\*\* DIFFUSERS FOR LED INDUSTRIAL LIGHTING FIXTURE  
LIK SERIES

Angle	LIK10050	LIK15050
60°	LIKL60	LIKL15060
90°	LIKL90	LIKL15090
120°	LIKL120	-

Product №	Power	Voltage	Frequency	PF	Colour temperature	CRI	Total luminous flux	Beam angle**	Dimensions D/H	IP	Weight	L80B30*
LIK10050	100W	220 - 240 V AC	50/60 Hz	>0.95	5000K	>80	14500 lm	60°/90°/120°	Ø280/190 mm	IP65	3.60 kg	>50000 h
LIK15050	150W	220 - 240 V AC	50/60 Hz	>0.95	5000K	>80	21500 lm	60°/90°	Ø340/190 mm	IP65	5.10 kg	>50000 h

\* Lumen degradation lifetime with 20%



## Professional LED floodlights

The professional UltraLux® LED floodlights are presented in three series:

- Professional floodlights with wide beam angle and luminous flux of 120 lm/W;
- Professional floodlights with changeable optics, high efficiency (140 lm/W) and dimming option, making these floodlights suitable for street and tunnel lighting also;
- Powerful professional floodlight (450 W) with changeable optics and high efficiency (140 lm/W), excellent solution for stadiums, sports grounds and facilities.

The floodlights' housing is made of powder-coated aluminum, ensuring a better cooling, mechanical strength and corrosion resistance. The built-in overvoltage pass (4 kV), the high impact resistance and protection rate makes them a great choice for both interior and exterior use. The floodlights are flicker-free and thus an excellent lighting solution for zones with HD video surveillance. 5-year warranty.

Application:

- warehouses;
- ports;
- industrial facilities;
- sport facilities;
- facades;
- video surveillance areas.

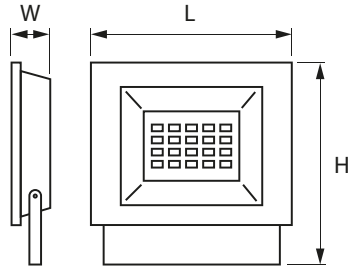
# PROFESSIONAL LED FLOODLIGHT

**5** YEARS WARRANTY

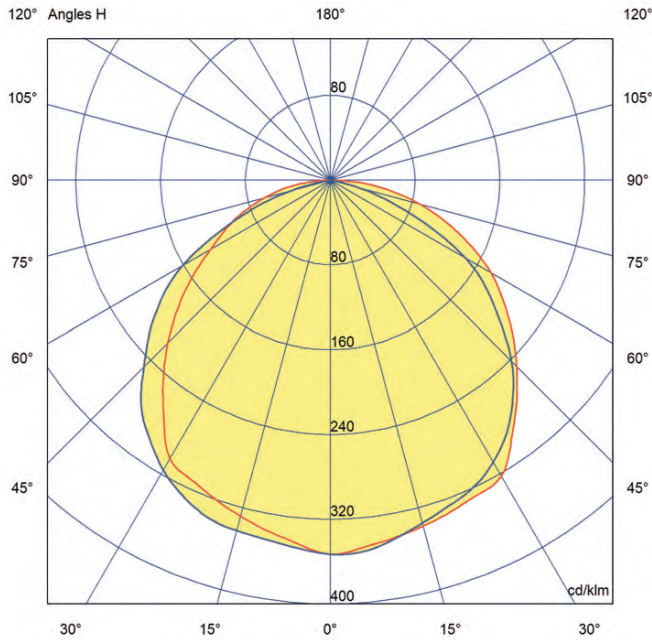


**IP65**  
**IK08**

**120 LM/W**  
**BREATHING VALVE**  
**FAST CONNECTION CABLE GLAND**  
**HOUSING: ALUMINIUM**  
**DIFFUSER: TEMPERED GLASS**  
**FLICKER-FREE**



The LED floodlight has a high luminous output of 120 lm/W, wide beam angle. The light is flicker-free. The fixture has a built-in breathing valve, which protects it from moisture penetration and fast connection cable gland. It is used for general lighting in a variety of solutions such as: lighting of industrial and storage areas, ports, work sites, sports facilities, facades and video surveillance areas.



Fast connection cable gland



Fixing the mounting angle

Product №	Power	Voltage	Frequency	PF	Colour temperature	CRI	Total luminous flux	Beam angle	Dimensions L/H/W	IP	Weight	L80B30*
SPG5050	50 W	220 - 240 V AC	50/60 Hz	>0.90	5000K	>80	6000 lm	120°	180/290/55 mm	IP65	1.20 kg	>40000 h
SPG10050	100 W	220 - 240 V AC	50/60 Hz	>0.90	5000K	>80	12000 lm	120°	330/320/80 mm	IP65	3.15 kg	>40000 h
SPG15050	150 W	220 - 240 V AC	50/60 Hz	>0.90	5000K	>80	18000 lm	120°	410/385/95 mm	IP65	5.00 kg	>40000 h
SPG20050	200 W	220 - 240 V AC	50/60 Hz	>0.90	5000K	>80	24000 lm	120°	410/385/95 mm	IP65	5.00 kg	>40000 h

\* Lumen degradation lifetime with 20%

PROFESSIONAL LED FLOODLIGHT, DIMMABLE

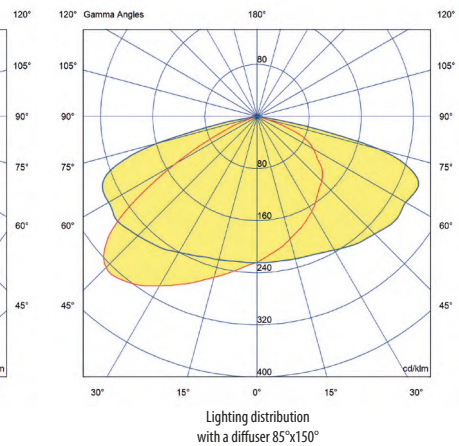
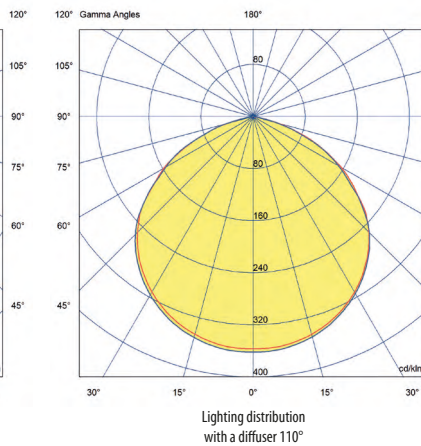
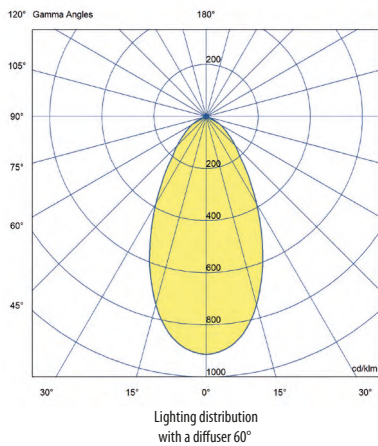
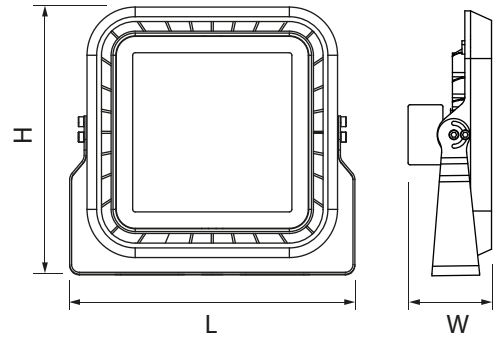
5 YEARS WARRANTY



IP65

- 140 LM/W
- DIMMING: 1-10 V DC
- BREATHING VALVE
- LED TYPE: SEOUL
- DRIVER: SOSEN
- HOUSING: ALUMINIUM
- OPTICS: UV-RESISTANT PC LENSES
- DIFFUSER: TEMPERED GLASS
- FLICKER-FREE

The LED floodlight is suitable for lighting stadiums, sports facilities, industrial premises, open public areas, tunnel lighting. The long life of the diodes and the low light decay are an ideal precondition for long and reliable operation. A possibility for quick and easy change of the lighting distribution (60°, 110°, 85°x150°). The floodlight has a distinguishingly long life, high energy efficiency (140 lm/W), innovative, light and impact resistant (IK08) housing. The high protection rate (IP66) makes it an excellent choice for both internal and external mounting. The fixture has a built-in breathing valve, which protects it from moisture penetration. The dimming option (with controlling voltage 1-10V DC) is also a great advantage.



Product №	Power	Voltage	Frequency	PF	Colour temperature	CRI	Total luminous flux	Beam angle	Dimensions L/H/W	IK	Weight	L80B30*
LSF10050D60	100 W	220 - 240 V AC	50/60 Hz	>0.95	5000K	>70	14000 lm	60°	300/280/100 mm	IK08	2.90 kg	>50000 h
LSF10050D110	100 W	220 - 240 V AC	50/60 Hz	>0.95	5000K	>70	14000 lm	110°	300/280/100 mm	IK08	2.90 kg	>50000 h
LSF10050D85	100 W	220 - 240 V AC	50/60 Hz	>0.95	5000K	>70	14000 lm	85°x150°	300/280/100 mm	IK08	2.90 kg	>50000 h
LSF15050D60	150 W	220 - 240 V AC	50/60 Hz	>0.95	5000K	>70	21000 lm	60°	350/320/100 mm	IK08	3.90 kg	>50000 h
LSF15050D110	150 W	220 - 240 V AC	50/60 Hz	>0.95	5000K	>70	21000 lm	110°	350/320/100 mm	IK08	3.90 kg	>50000 h
LSF15050D85	150 W	220 - 240 V AC	50/60 Hz	>0.95	5000K	>70	21000 lm	85°x150°	350/320/100 mm	IK08	3.90 kg	>50000 h
LSF20050D60	200 W	220 - 240 V AC	50/60 Hz	>0.95	5000K	>70	28000 lm	60°	400/365/100 mm	IK07	6.00 kg	>50000 h
LSF20050D110	200 W	220 - 240 V AC	50/60 Hz	>0.95	5000K	>70	28000 lm	110°	400/365/100 mm	IK07	6.00 kg	>50000 h
LSF20050D85	200 W	220 - 240 V AC	50/60 Hz	>0.95	5000K	>70	28000 lm	85°x150°	400/365/100 mm	IK07	6.00 kg	>50000 h

\* Lumen degradation lifetime with 20%



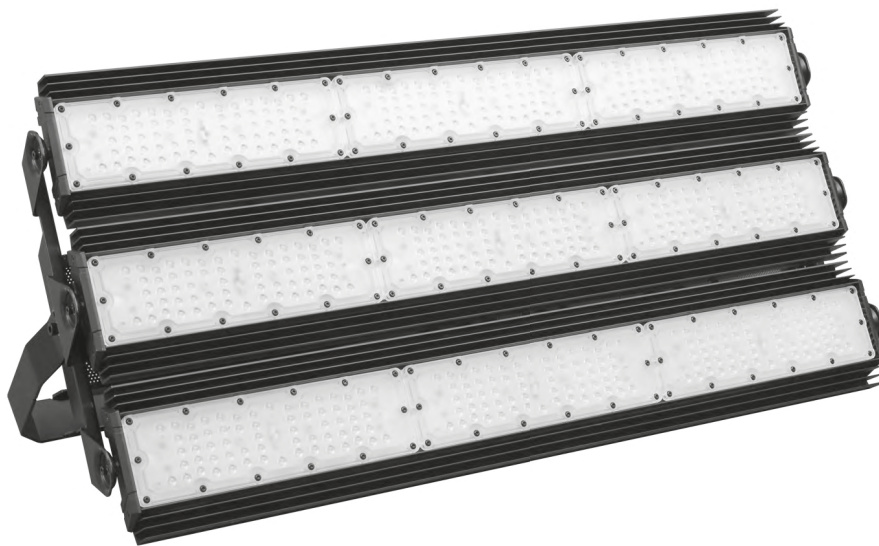
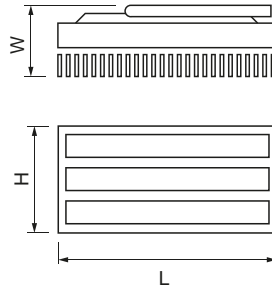
# LED STADIUM FLOODLIGHT

**5** YEARS WARRANTY



**IP66**  
**IK10**

140 LM/W  
LED TYPE: PHILIPS  
DRIVER: PHILIPS XITANIUM  
HOUSING: ALUMINIUM  
OPTICS: UV-RESISTANT PC LENSES  
FLICKER-FREE



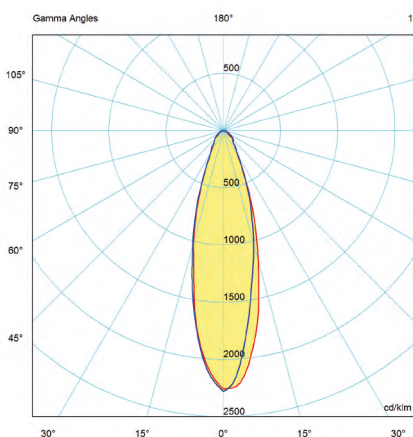
The LED stadium floodlight has a high efficiency 140 lm/W, the light is flickerless with CRI>80. The floodlight covers the UEFA lighting requirements for sport facilities.

There are three types of optics (30°/45°/80°) with high quality polycarbonate. Each module can be regulated individually. The luminaire uses three Philips Xitanium drivers, with built-in surge protection, and high-class Philips LED chips, which guarantee long life and reliable operation. The housing is made with aluminum alloy 6063 for optimal heat dissipation. High impact and ingress protection rates (IK10 and IP66).

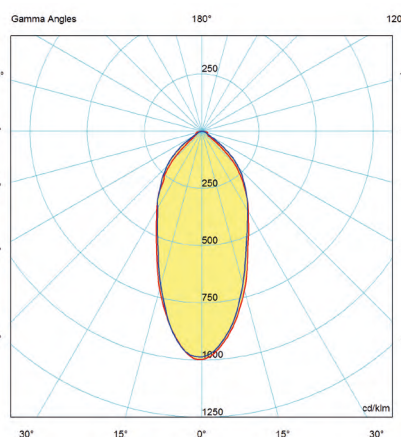
Optional DALI control.

Application:

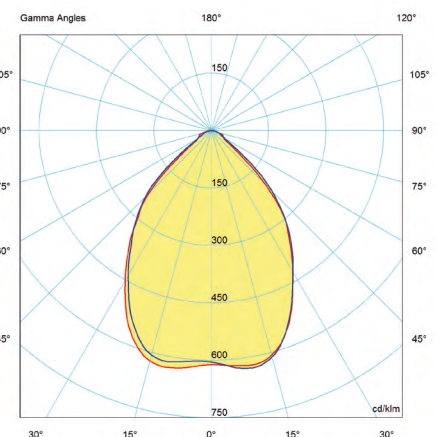
- stadiums;
- sports facilities;
- industrial spaces;
- ports and airports;
- video surveillance areas.



Lighting distribution with a diffuser 30°



Lighting distribution with a diffuser 45°



Lighting distribution with a diffuser 80°

Product N°	Power	Voltage	Frequency	PF	Colour temperature	CRI	Total luminous flux	Beam angle	Dimensions H/L/W	IP	Weight	L80B30*
LSF45050	450 W	220 - 240 V AC	50/60 Hz	>0.95	5000K	>80	63400 lm	30°/45°/80°	373/755/110 mm	IP66	10.00 kg	>50000 h

\* Lumen degradation lifetime with 20%



**UltraLux**<sup>®</sup>

## Street LED lighting

The **UltraLux**<sup>®</sup> street lighting fixtures are designed to meet all the contemporary requirements for street lighting, according to the EN 13201 standards. They are made of high-quality aluminum, the PCBs – from aluminum substrate, ensuring optimal cooling and longer life of the diodes. The drivers have a built-in surge protection 4kV, according to IEC 61000-4-5. The standard efficiency of the luminaires is 100lm/W with CRI>80, and the optional efficiency up to 145W lm/W with CRI>70.

The light distribution is ensured from a system of UV-protected polycarbonate lenses with excellent transparency. The standard diagram is as required by IESNA Type III.

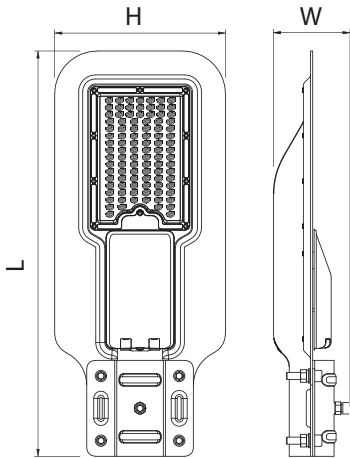
The luminaires' mounting can be carried out with several types of pole adaptors.

# LED STREET LAMP

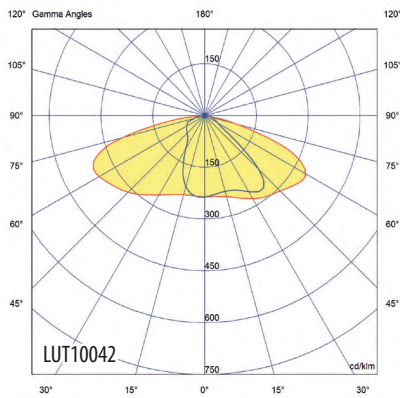
**5** YEARS WARRANTY

**IP66**  
**IK08**

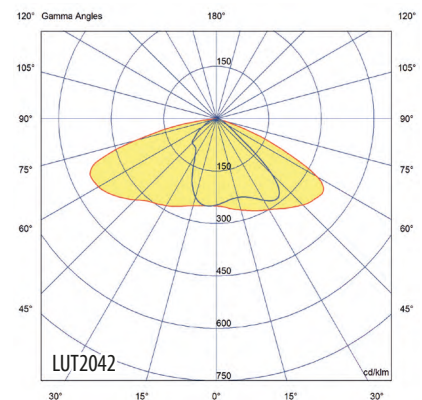
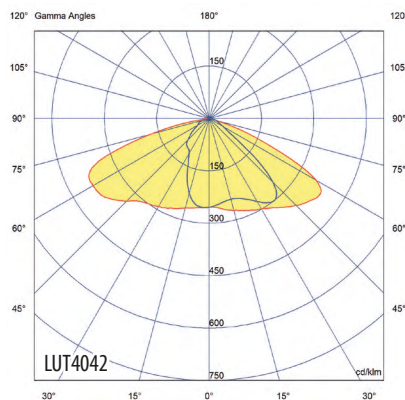
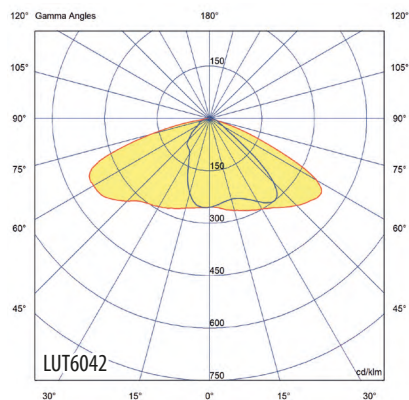
100 LM/W  
HOUSING: ALUMINIUM  
OPTICS: UV-RESISTANT PC LENSES  
FLICKER-FREE



LUT10042



LUT6042 / LUT4042 / LUT2042



Lighting distribution: 90°x140° (Type III according to IES)

Product №	Power	Voltage	Frequency	PF	Colour temperature	CRI	Total luminous flux	Beam angle	Dimensions L/H/W	Flange	IP	Weight	L80B30*
LUT2042	20 W	220 - 240 V AC	50/60 Hz	>0.90	4200K	>80	2000 lm	90°x140°	380/156/87 mm	ø40 mm	IP66	1.50 kg	>50000 h
LUT4042	40 W	220 - 240 V AC	50/60 Hz	>0.90	4200K	>80	4000 lm	90°x140°	380/156/87 mm	ø40 mm	IP66	1.50 kg	>50000 h
LUT6042	60 W	220 - 240 V AC	50/60 Hz	>0.90	4200K	>80	6000 lm	90°x140°	380/156/87 mm	ø40 mm	IP66	1.50 kg	>50000 h
LUT10042	100 W	220 - 240 V AC	50/60 Hz	>0.90	4200K	>80	10000 lm	90°x140°	570/240/107 mm	ø60 mm	IP66	3.00 kg	>50000 h

\* Lumen degradation lifetime with 20%

# LED STREET LAMP

**5** YEARS WARRANTY

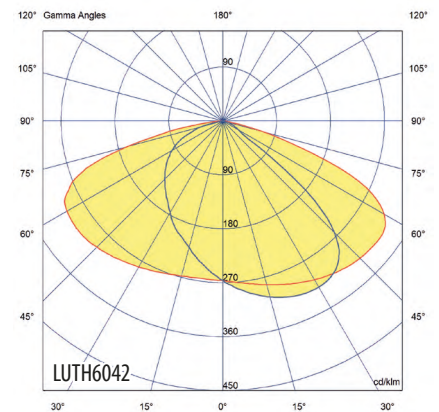
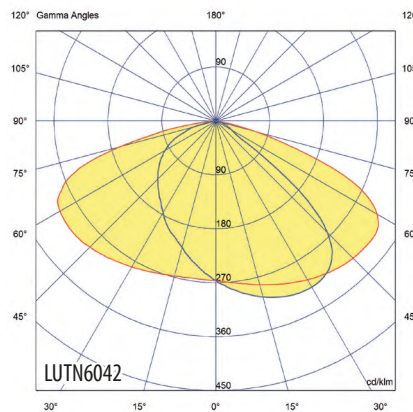
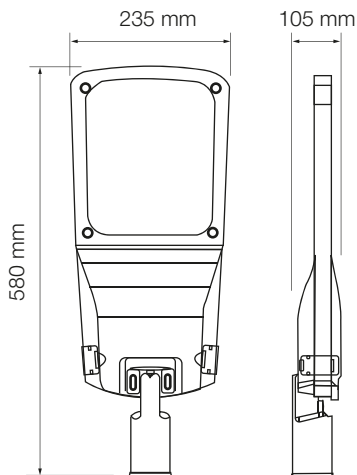


**IP66  
IK08**

- 120/150 LM/W
- LED TYPE: PHILIPS
- DRIVER: SOSEN
- HOUSING: ALUMINIUM
- OPTICS: UV-RESISTANT PC LENSES
- DIFFUSER: TEMPERED GLASS
- BUILT-IN SURGE PROTECTION DEVICE: 10kA / 20kV
- DISCONNECT KNIFE SWITCH
- Ø60 FLANGE WITH ADJUSTING ANGLE: VERTICALLY ± 15°, HORIZONTALLY ± 15°
- FLICKER-FREE



The LED street fixture with 60W power have a high lighting efficiency of 150 lm/W. It uses high-quality PHILIPS chips, built-in flicker-less SOSEN driver. The housing is from aluminum powder-coated and corrosion resistant diecast. The fixture has an ingress protection rate IP66 and impact resistance IK08. The optical system has lenses on each diode and tempered protection glass. Changing of the lighting distribution is quick and easy. Important features of the fixture are its protection cover with built-in circuit interrupter (ensuring greater servicing safety) and integrated surge protection 10kA/20kV. Optionally, this fixture can be equipped with intelligent programmable driver. This significantly optimizes the energy consumption.


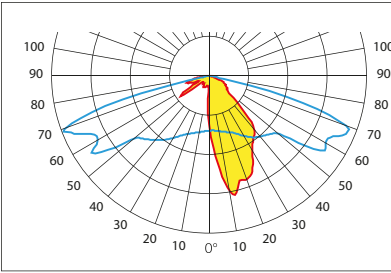
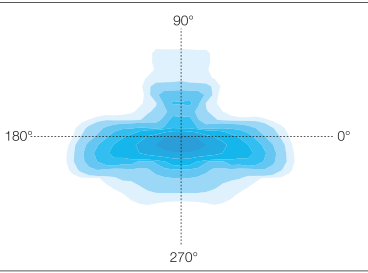
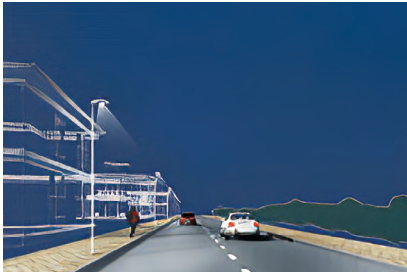
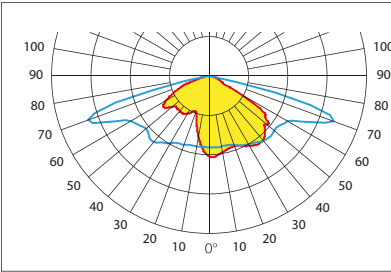
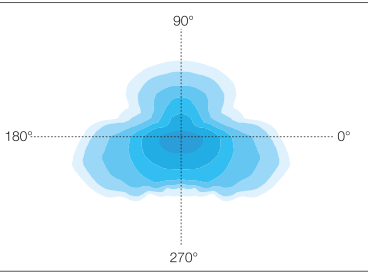

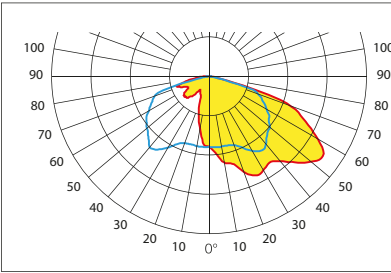
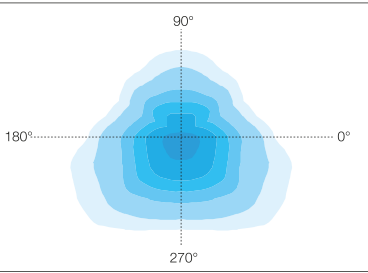

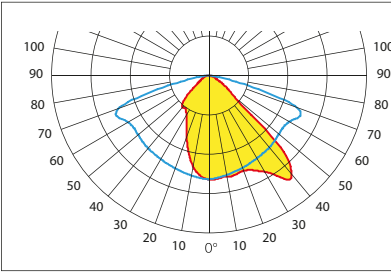
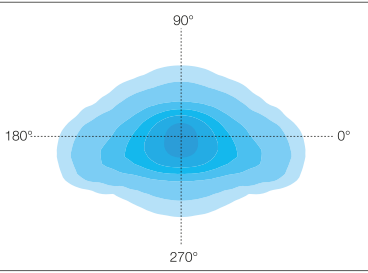

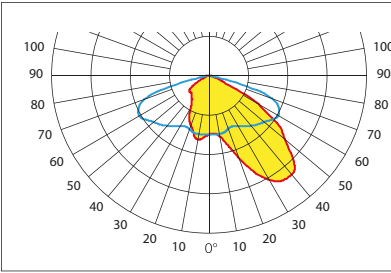
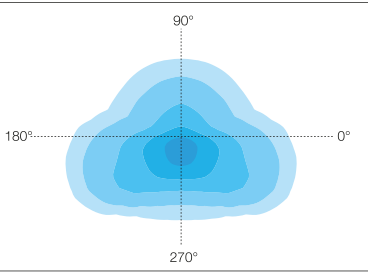

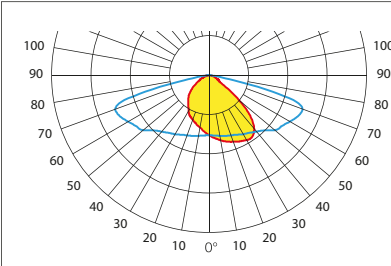
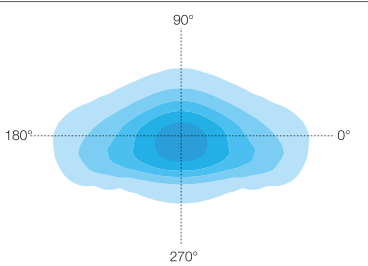


Lighting distribution: 90°x140° (Type III according to IES)

Product №	Power	Voltage	Frequency	PF	Colour temperature	CRI	Total luminous flux	Beam angle	Dimensions L/H/W	Flange	IP	Weight	L80B30*
LUTN6042	60 W	220 V - 240 V AC	50/60 Hz	>0.90	4200K	>80	7200 lm	optional	120 lm/W	Ø60 mm	IP66	4.50 kg	>50000 h
LUTH6042	60 W	220 V - 240 V AC	50/60 Hz	>0.90	4200K	>80	9000 lm	optional	150 lm/W	Ø60 mm	IP66	4.50 kg	>50000 h

\* Lumen degradation lifetime with 20%

TYPES OF LIGHT DISTRIBUTION FOR LED STREET LAMS ULTRALUX® LUTN6042, LUTH6042

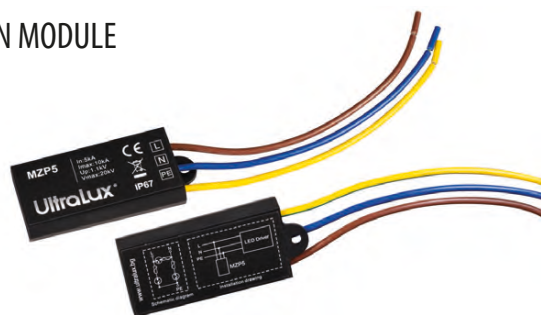
Type	Application	Light distribution	
T2A			
T3A			
T4A			
T3			
T4			
T5			

# Accessories

## SURGE PROTECTION MODULE

MZP5

IP67

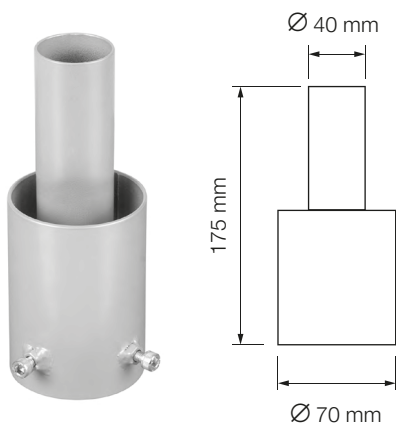


Operating Voltage: 110-277 V AC / 50-60 Hz  
 Maximum Continuous Operating Voltage: 390 V AC / 50-60 Hz  
 Maximum Discharge Current:  $I_{max} = 10 \text{ kA}$   
 Nominal Discharge Current:  $I_n = 5 \text{ kA}$   
 Maximum Discharge Voltage: 20kV  
 Voltage protection level: 1.1 kV  
 SPD Type III  
 Dimensions: 80 / 37 / 13 mm

ADAPTER Ø42 TO Ø65  
 FOR LED STREET LAMPS ULTRALUX®  
 LUT2042, LUT4042, LUT6042

AUT4265

Material:  
 Anticorrosive powder-coated steel



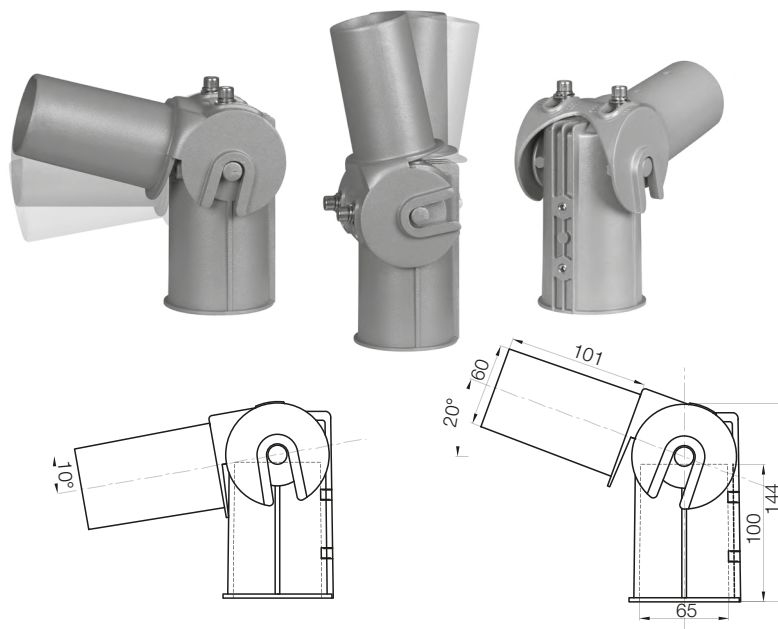
ADAPTER Ø60  
 FOR LED STREET LAMPS ULTRALUX®  
 LUT10042, LUT2203042,  
 LUTN6042, LUTH6042

AUT60

Material:  
 Powder-coated aluminium die-cast

Angle adjustment:  
 180°: (-10° ÷ +20°)  
 90°: (-10° ÷ +20°)''

Dimensions:  
 255 / 65 / 60 mm

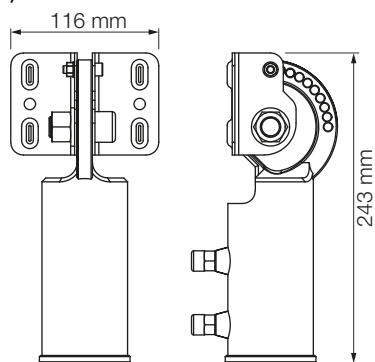


ADAPTER Ø60 WITH ADJUSTABLE ANGLE  
 FOR LED STREET LAMPS ULTRALUX®  
 LUT2042, LUT4042, LUT6042

AUT60642

Material:  
 Aluminium die-cast

Angle adjustment:  
 -30° до 90°  
 Adjustment step: 10°

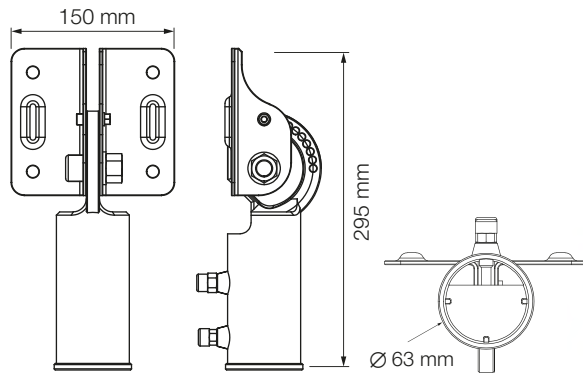


**ADAPTER Ø60 MM WITH ADJUSTABLE ANGLE  
FOR LED STREET LAMP ULTRALUX® LUT10042**

**AUT60100**

Material:  
Aluminium die-cast

Angle adjustment:  
-30° to 90°  
Adjustment step: 10°



**ADAPTER Ø48 MM  
FOR AUT42, AUT65, AUTS  
FOR LED STREET LAMPS ULTRALUX®  
LUT2042, LUT4042, LUT6042**

**AUT48**

Material: Powder-coated steel



**ADAPTER FOR LED STREET LAMPS  
FOR WALL MOUNTING  
FOR LED STREET LAMPS ULTRALUX®  
LUT2042, LUT4042, LUT6042**

**AUTS**

Material: Powder-coated steel



**ADAPTER Ø42 MM  
WITH ADJUSTABLE ANGLE  
FOR LED STREET LAMPS ULTRALUX®  
LUT2042, LUT4042, LUT6042**

**AUT42**

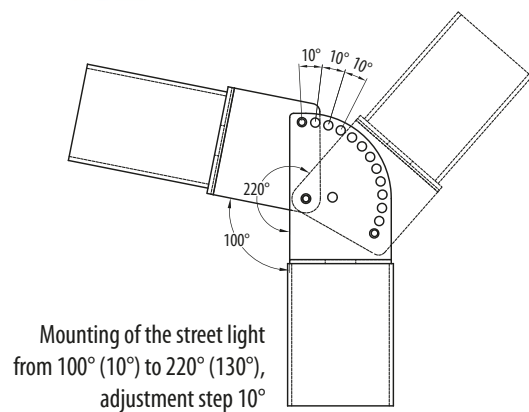
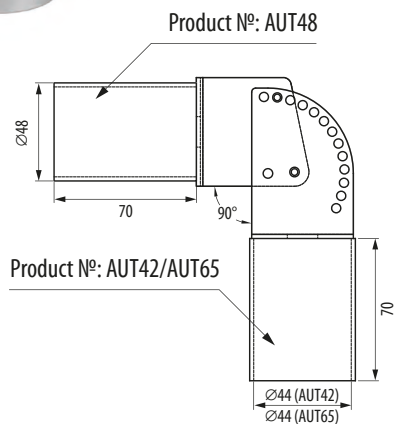
Material: Powder-coated steel



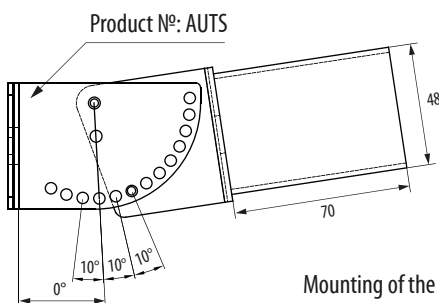
**ADAPTER Ø65 MM  
WITH ADJUSTABLE ANGLE  
FOR LED STREET LAMPS ULTRALUX®  
LUT2042, LUT4042, LUT6042**

**AUT65**

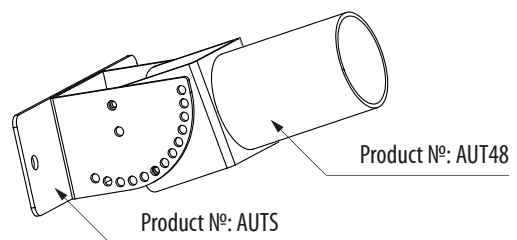
Material: Powder-coated steel



Mounting of the street light  
from 100° (10°) to 220° (130°),  
adjustment step 10°



Mounting of the street light  
from -30° to 90°, adjustment step: 10°





**UltraLux**<sup>®</sup>

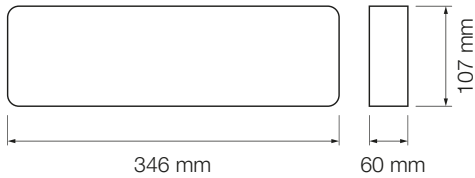
# Emergency lighting fixtures and modules



## LED EMERGENCY LIGHTING FIXTURE WITH BUILT-IN BATTERY, **WATERPROOF**

Built-in Ni-Cd rechargeable battery: 1500 mAh/ 3.6V  
 Emergency power output: 3W  
 Working time in emergency mode: >120 min  
 Charging time: 20 hours  
 Luminous flux: 140 lm (emergency luminous flux)  
 ON/OFF switch  
 Sticker set (4 pcs.) included

**2** YEARS WARRANTY

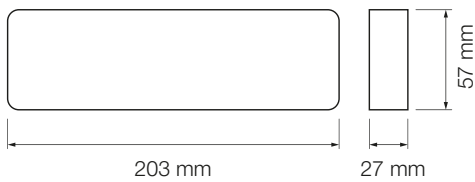


Product №	Power	Voltage	Frequency	Colour temperature	Luminous flux	Nett weight	IP
LLE365	3 W	220 -240V AC	50/60 Hz	6500 K	50 lm / 140 lm	0.6 kg	IP44

## LED LIGHTING FIXTURE WITH BUILT-IN BATTERY

Built-in Li-Ion battery 3.7V DC, 800mAh  
 Emergency power output: 1W/2W  
 Working time in emergency mode: 90 min  
 Charging time: 16h  
 Three modes: 1W/2W/OFF  
 Sticker set (4 pcs.) included

**2** YEARS WARRANTY



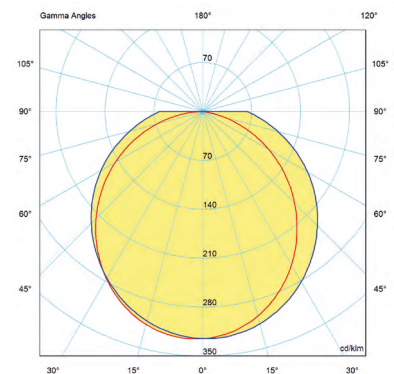
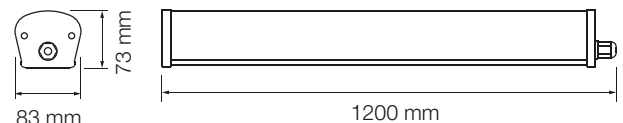
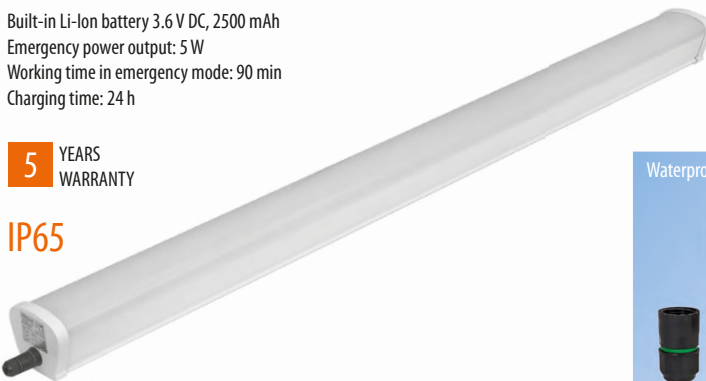
Product №	Power	Voltage	Frequency	Colour temperature	Luminous flux	Nett weight	IP
LLE265	1 W / 2 W	220 -240V AC	50/60 Hz	6500 K	55 lm / 110 lm	0.16 kg	IP20

## LED INDUSTRIAL LIGHTING FIXTURE WITH BUILT-IN EMERGENCY POWER SUPPLY

Built-in Li-Ion battery 3.6 V DC, 2500 mAh  
 Emergency power output: 5 W  
 Working time in emergency mode: 90 min  
 Charging time: 24 h

**5** YEARS WARRANTY

**IP65**



Product №	Power	Voltage	Frequency	PF	Colour temperature	CRI	Luminous flux	Beam angle	Nett weight	IP
LITE1204050	40 W	180 -265V AC	50/60 Hz	>0.90	5000 K	>80	4200 lm	180°	1.20 kg	IP65



**2** YEARS WARRANTY



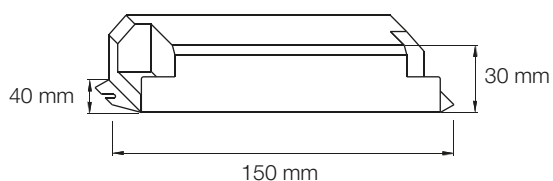
**EMERGENCY POWER SUPPLY  
WITH BUILT-IN BATTERY FOR LED LIGHTING**

Battery: Ni-Cd, 12 V DC, 2500 mAh  
 Charging time: 24 h  
 Emergency power: 15 W  
 $I_{out} = 250 \text{ mA DC}$   
 $U_{out} = 105 \text{ V DC}$   
 Working time in emergency mode: >90 min.

Product N°	Voltage	Frequency	Max. power	IP
ZAM502	100-270 V AC	50/60 Hz	50 W	IP20



**2** YEARS WARRANTY



**EMERGENCY POWER SUPPLY  
WITH BUILT-IN BATTERY FOR LED LIGHTING**

Battery: Li-ion, 3.6 V DC, 2500 mAh  
 Charging time: 24 h  
 Emergency power: 3 W  
 $I_{out} = 50 \text{ mA DC}$   
 $U_{out} = 60 \text{ V DC}$   
 Working time in emergency mode: >90 min.

Product N°	Voltage	Frequency	Max. power	IP
ZAM242	100-270 V AC	50/60 Hz	24 W	IP20

# UltraLux®

[www.ultralux.bg](http://www.ultralux.bg)

**Central office:**

Phones:

+359 676 / 7 44 33

+359 88 / 666 1 777

e-mail: [sales@ultralux.bg](mailto:sales@ultralux.bg)

**Commercial and technical information:**

Phones:

+359 887 / 80 15 55

+359 883 / 94 94 95

+359 883 / 28 48 48

+359 885 / 90 90 90



**BORIANA**  
**GROUP**

