

Amplifier for RGBW LED light

Model № RGBWAMP32A

DESCRIPTION

RGBWAMP32A is the most powerful amplifier designed for RGBW LED lighting. Used when the power of the controller is less than that of the load. It is controlled by the input signal supplied by the controller. It can be used as four single colour amplifiers.

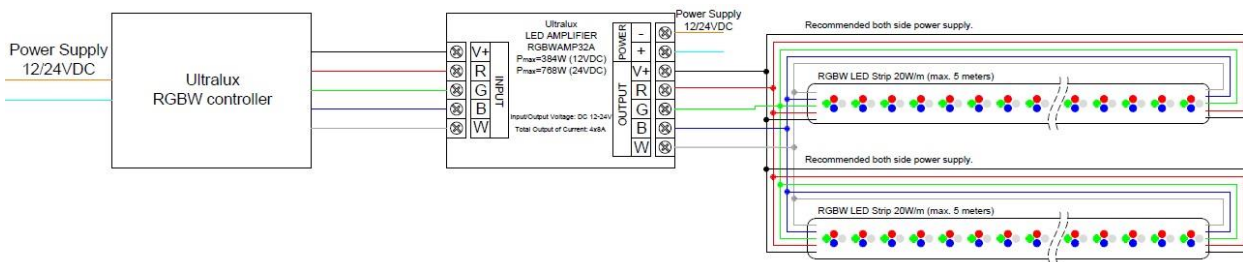
TECHNICAL DETAILS

- **Input/ Output voltage:** 12-24 V DC
- **Maximum output current:** 4x8 A
- **Maximum output power:** 384 W (12 V); 768 W (24 V)
- **IP rate:** IP20
- **Dimensions:** 91/91/25 mm
- **Working temperature:** -10° C ÷ +40 ° C
- **Warranty:** 2 years

WIRING DIAGRAM

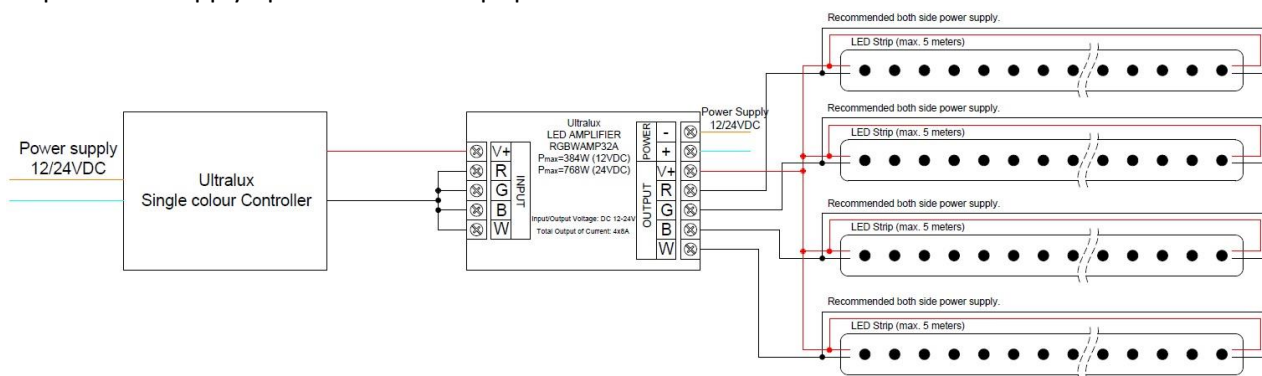
- **Connection with RGBW LED strip**

In this connection the installed power of the LED strips must be in accordance with the amplifier.



- **Connection with 4 single colour LED strips**

In this connection the RGBW amplifier is working like 4 single colour amplifiers. At 12 V DC the LED amplifier can supply up to 96 W LED strips per channel.



- Do not install on flammable surfaces.
- Do not cover the amplifier. Ensure enough space for heat dissipations.

TAKING CARE OF THE NATURAL ENVIRONMENT CLEANLINESS

- The product and its components are not harmful to the environment.
- Please dispose the package elements separately in containers for the corresponding material.
- Please dispose the broken product separately in containers for out of usage electrical equipment.

